

JAWA 400-F

(GEENY)

BODY

SPARE PARTS CATALOGUE



2024 I. edition

INSTRUCTION FOR USER

This parts catalogue is compiled all service parts for model JAWA 400-F (carburetor) , Please reference.

1. Replacement parts order must contain both the part code and required quantities.
2. If the parts have color ,the color must be indicated in the order.
3. If the parts must be replaced, we do not make a notice.
4. This catalogue is only used to recognize the parts; it may be different with actual shape of the parts.
5. Special reminds: * marked parts may has a different parts code for different countries. When exports please to refer to the note when ordering such parts in addition the staff using this catalogue should take the responsibility to check the notice, to make sure the real condition of the parts.

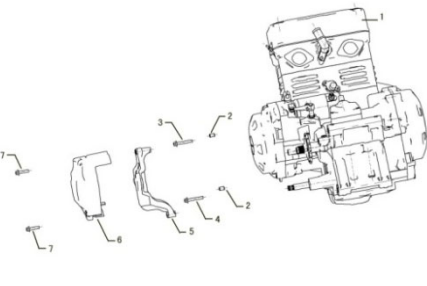
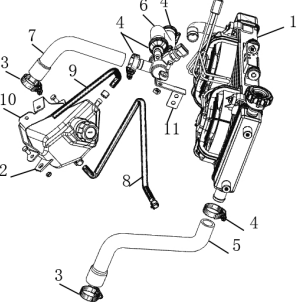
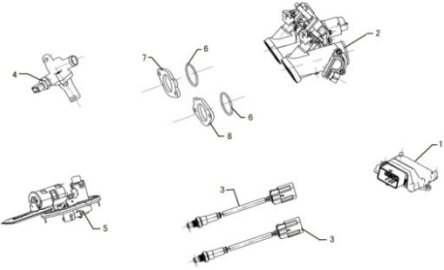
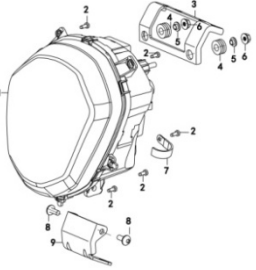
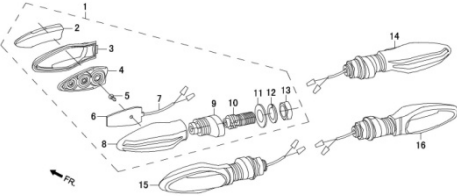
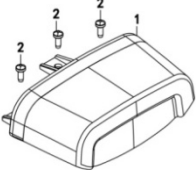
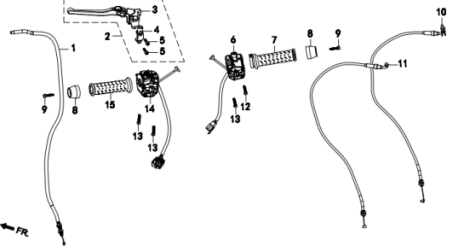
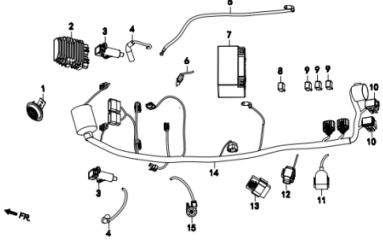
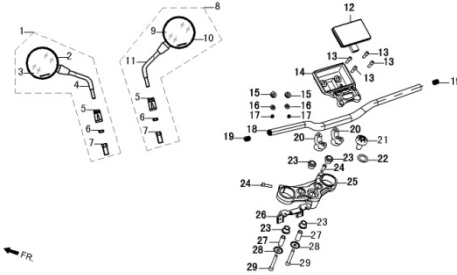
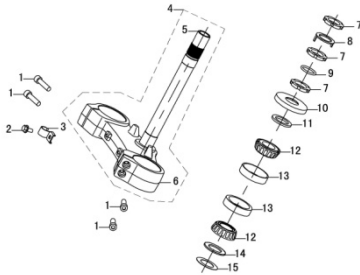
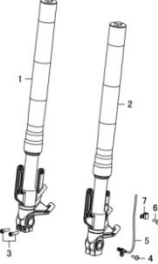
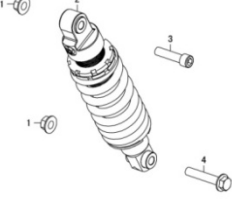
2024 I. edition

JAWA 400-F



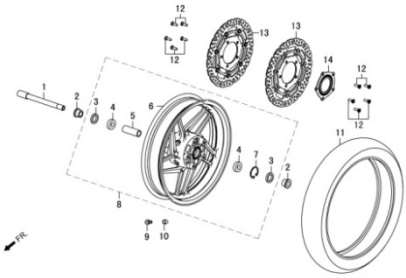
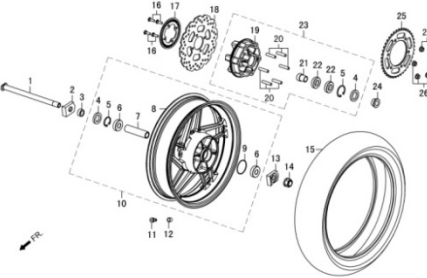
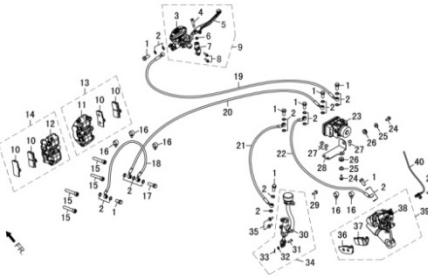
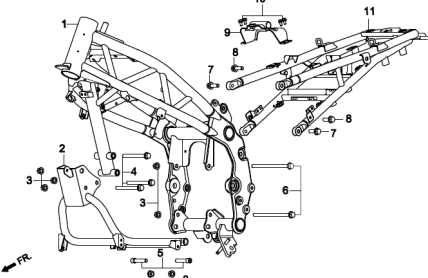
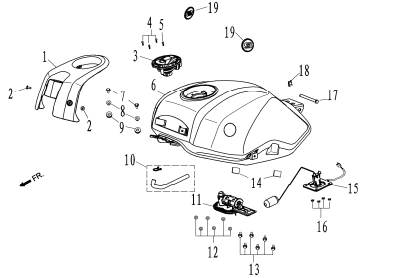
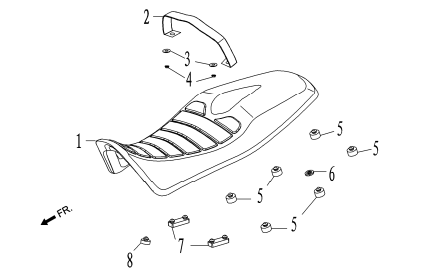
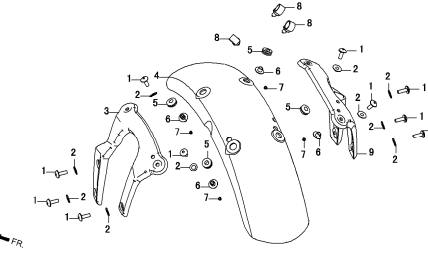
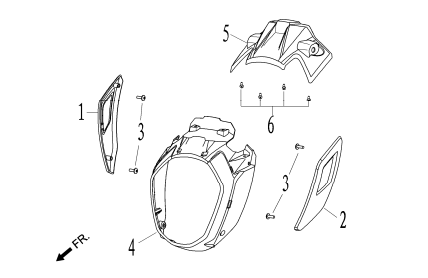
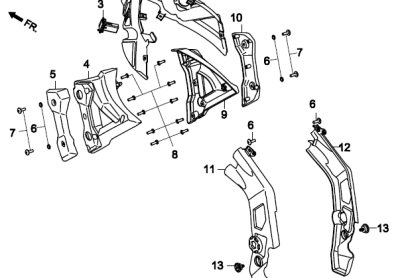
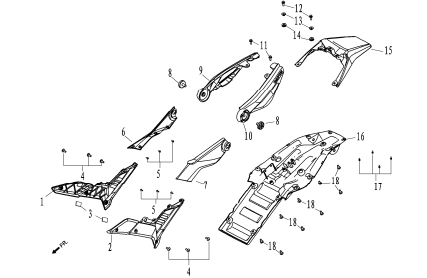
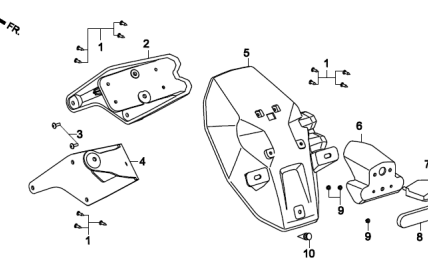
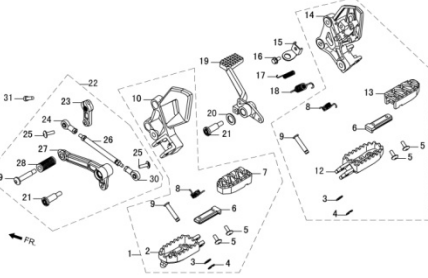
2024 I. edition

DESCRIPTION	Pg	DESCRIPTION	Pg
E-1 ENGINE	4	F-13 FRAME BODY	31
E-2 RADIATOR	5	F-14 FUEL TANK	33
E-3 (EFI) ELECTRONIC FUEL INJETING SYSTEM	6	F-15 SEAT	35
F-1 HEADLIGHT	7	F-16 FRONT FENDER	36
F-2 WINKER	8	F-17 COWLING	37
F-3 TAIL-LIGHT	10	F-18 COVER,FRAME BODY/COVER,RADIATOR	38
F-4 HANDLE LEVER/SWITCH/CABLE	11	F-19 SIDE COVER/REAR ARMREST/ REAR COVER/REAR FENDER	40
F-5 WIRE/BATTERY/REGULATOR	13	F-20 UNDERSIDE ENDER	42
F-6 REARVIEW MIRROR/HANDLE BAR/TOP BRIDGE	15	F-21 STEP FR./PEDAL CHANGE/BRAKE PEDAL, RR.	43
F-7 STEERING STEM	18	F-22 STEP RR	47
F-8 FRONT ABSORBER	20	F-23 SWINGARM /CHAIN/CHAIN CASE	49
F-9 REAR ABSORBER	21	F-24 AIR CLEANER	50
F-10 FRONT WHEEL	22	F-25 EXHAUST UFFLER	54
F-11 REAR WHEEL	24	F-26 CARBON CANISTER	56
F-12 DISC BRAKE	27	F-27 TOOLS	57

E-1 ENGINE	E-2 RADIATOR	E-3 EFI	F-1 前照灯 HEADLIGHT
			
F-2 WINKER	F-3 TAIL-LIGHT	F-4 HANDLE LEVER/SWITCH/CABLE	F-5 WIRE/BATTERY/REGULATOR
			
F-6 REARVIEW MIRROR/ HANDLE BAR/TOP BRIDGE	F-7 STEERING STEM	F-8 FRONT ABSORBER	F-9 REAR ABSORBER
			

2024 I. edition

JAWA Moto spol. s r. o., Brodce 46, 257 41 Týnec nad Sázavou,
Telefon: 00420 317 720 281, e-mail: prodej@jawa.eu, www.jawa.eu

F-10 FRONT WHEEL	F-11 REAR WHEEL	F-12 DISC BRAKE	F-13 FRAME BODY
			
F-14 FUEL TANK	F-15 SEAT	F-16 FRONT FENDER	F-17 COWLING
			
F-18 COVER,FRAME BODY/ COVER,RADIATOR	F-19 SIDE COVER/REAR ARMREST/ REAR COVER/REAR FENDER	F-20 UNDERSIDE ENDER	F-21 STEP FR./PEDAL CHANGE/ BRAKE PEDAL, RR.
			

2024 I. edition

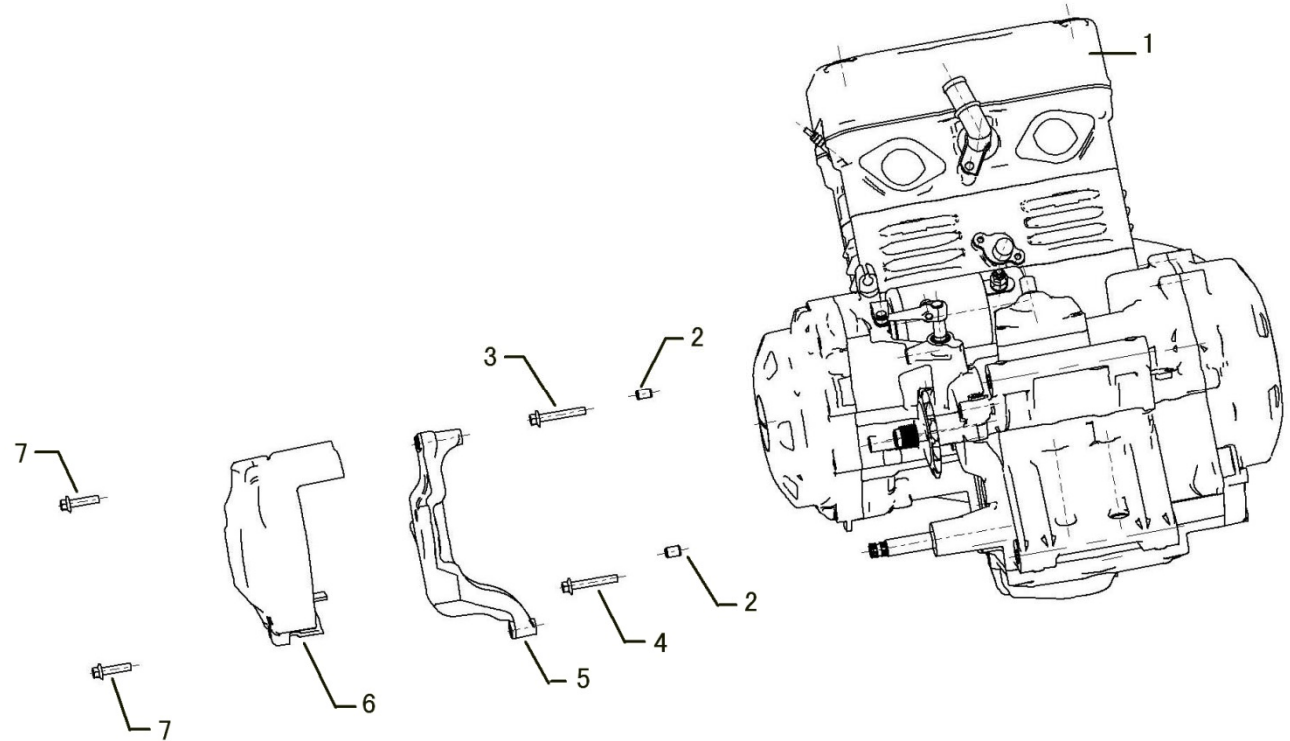
JAWA Moto spol. s r. o., Brodce 46, 257 41 Týnec nad Sázavou,
Telefon: 00420 317 720 281, e-mail: prodej@jawa.eu, www.jawa.eu

<p>F-22 STEP RR</p>	<p>F-23 SWINGARM /CHAIN/CHAIN CASE</p>	<p>F-24 AIR CLEANER</p>	<p>F-25 EXHAUST UFFLER</p>
<p>F-26 CARBON CANISTER</p>	<p>F-27 TOOLS</p>		

2024 I. edition

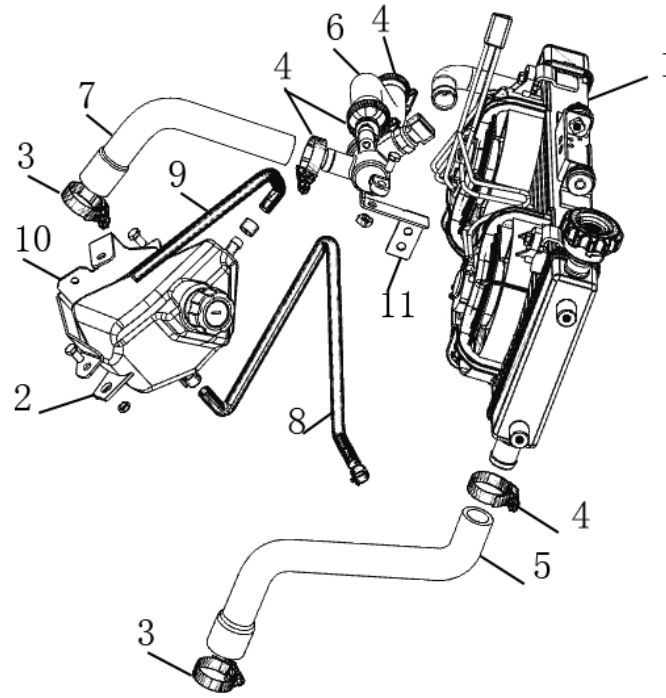
JAWA Moto spol. s r. o., Brodce 46, 257 41 Týnec nad Sázavou,
 Telefon: 00420 317 720 281, e-mail: prodej@jawa.eu, www.jawa.eu

E-1 ENGINE



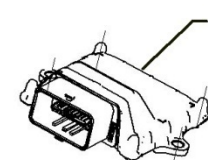
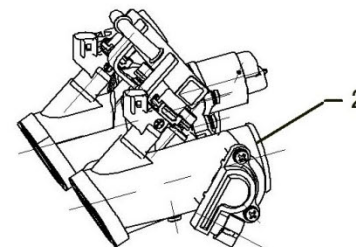
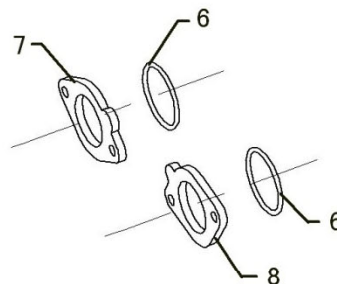
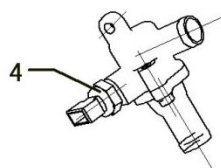
REF. No.	PART NO.	PART NAME	REQD.QTY	NOTES
1	302000604700	ENGINE	1	
2	100100868	ORIENTATIONAL PIN $\phi 8 \times 14$	2	
3	100011540-0007	HEX FLANGE BOLTS M6 \times 50	1	
4	100011538-0003	HEX FLANGE BOLTS M6 \times 40	1	
5	3020011604700	TAIL COVER BRACKET	1	
6	3020012604700	COVER DRIVE SPROCKET	1	
7	100011507-0006	HEX FLANGE BOLTS M6 \times 28	2	

E-2 RADIATOR

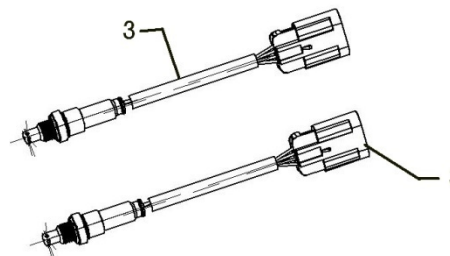
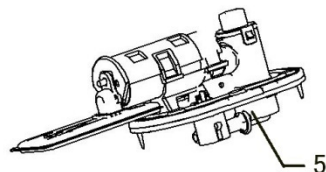


REF. No.	PART NO.	PART NAME	REQD.QTY	NOTES
1	3020005604700	RADIATOR COMP.	1	
2	3020006604700	SUPPLIING WATE TANK	1	
3	3020007604700	HOOP,SCREW TYPE $\phi 18-\phi 32$	2	
4	3020007604701	HOOP,SCREW TYPE $\phi 16-\phi 27$	4	
5	3020008604700	OUT, PIPELINE	1	
6	3020009604700	IN,PIPELINE	1	
7	3020010604700	CONNECT, PIPELINE	1	
8	3020011604700	SUPPLIING WATE TANK, PIPELINE	1	
9	3020012604700	VENTILE,PIPELINE	1	
10	3447000604700	SUPPLIING WATE TANK, HOLDER	1	
11	3440164604700	TEMPERATURE SENSOR, HOLDER	1	

E-3 ELECTRONIC FUEL

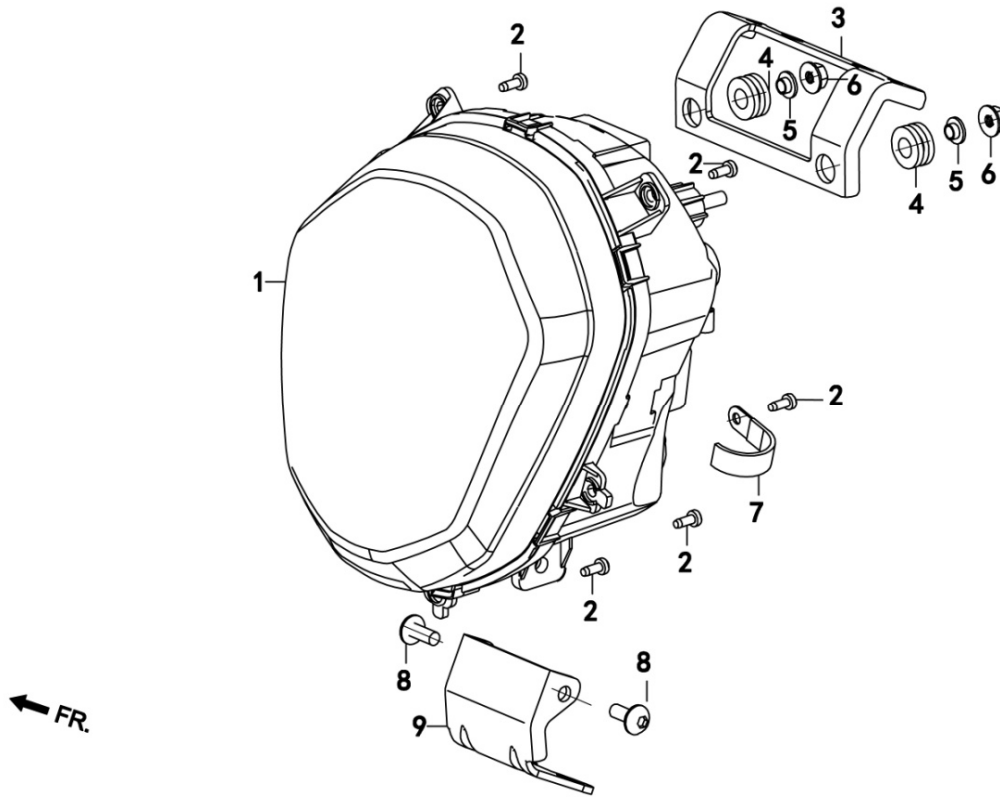


INJETING SYSTEM



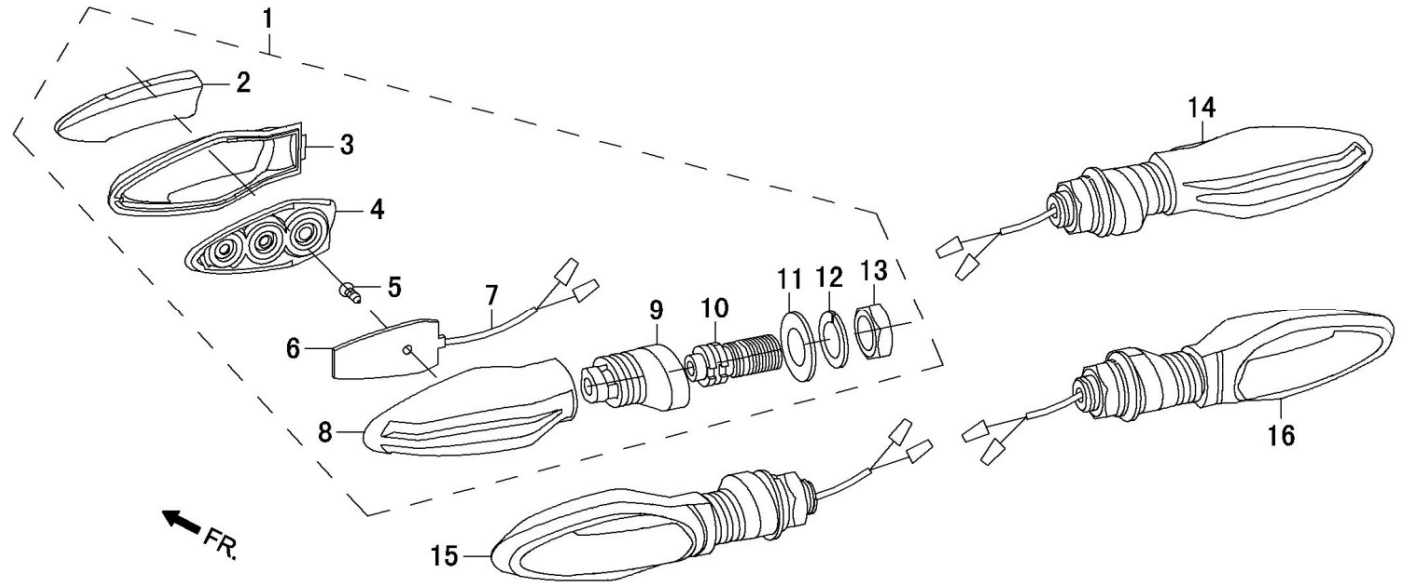
. No.	PART NO.	CHINESE NAME	PART NAME	REQD.QTY	NOTES
1	3450001603701		ELECTRONIC COUNTRLO UNIT	1	
2	3450013603701		THROTTLE BODY ASSY	1	
3	3450113603701		SENSOR, O2	2	
4	3450004603701		SENSOR, WATER TEMPERTURE	1	
5	3450008604700		OIL BURNING PUMP	1	
6	3020004604700		O RINGφ38×φ3	2	
7	3020002604700		INLET GASKET(LEFT)	1	
8	3020003604700		INLET GASKET(RIGHT)	1	

F-1 HEADLIGHT



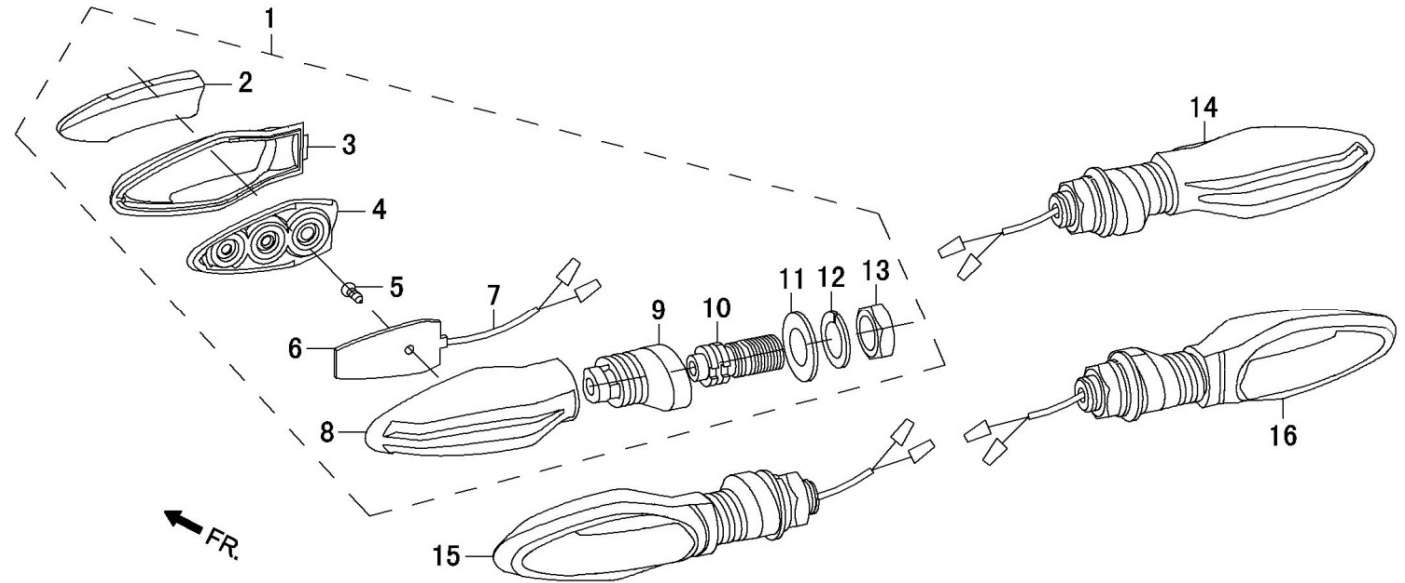
REF. No.	PART NO.	PART NAME	REQD.QTY	NOTES
1	3721000604700	HEADLIGHT	1	
2	GB845	SCREW,TAPPING, ST4.2×13	6	
3	3442100604700	BRACKET,UP, HEADLIGHT	1	
4	34300261010	RUBBER	2	
5	34400131010	BUSH	2	
6	GB6177060	NUT,FLANGE,M6	2	
7	34400901530	CLAMP	1	
8	920186550	SCREW,SPHERE, M6×16	1	
9	3442100604700	BRACKET,DOWN, HEADLIGHT	1	

F-2 WINKER



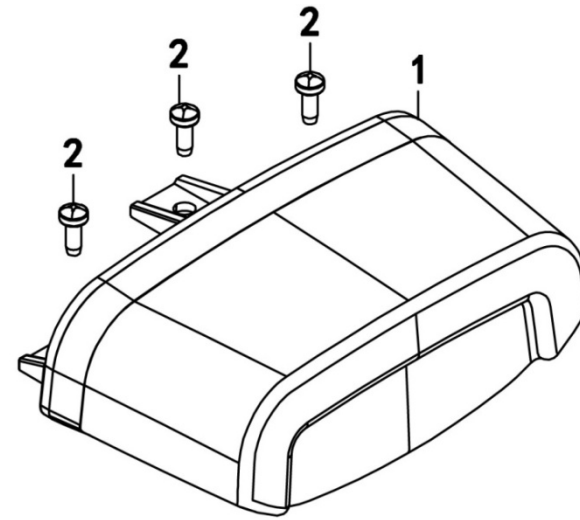
REF. No.	PART NO.	CHINESE NAME	PART NAME	REQD.QTY	NOTES
1	37110006170		WINKER,FR,L.	1	
2	37110076170		LENS	1	
3	37110086170		OUTER COVER	1	
4	37110066170		LIGHT,GUIDE	1	
5	GB/T845		SCREW,TAPPING,ST3×10	1	
6	37110056170		PRINTED CIRCUIT BOARD	1	
7	37110016170		WIRE.	1	
8	37110046170		CASE	1	
9	37110036170		RUBBER,HANDLE	1	
10	37110026170		SCREW	1	

F-2 WINKER



REF. No.	PART NO.	PART NAME	REQD.QTY	NOTES
11	GB/T97.1	WASHER, φ12	1	
12	GB/T 93	WASHER,SPRING, φ12	1	
13	GB/T 6177.2	NUT,HEX.,M12×1.25	1	
14	37120006170	WINKER,FR. R.	1	
15	37130006170	WINKER,RR. L.	1	
16	37140006170	WINKER,RR. R.	1	

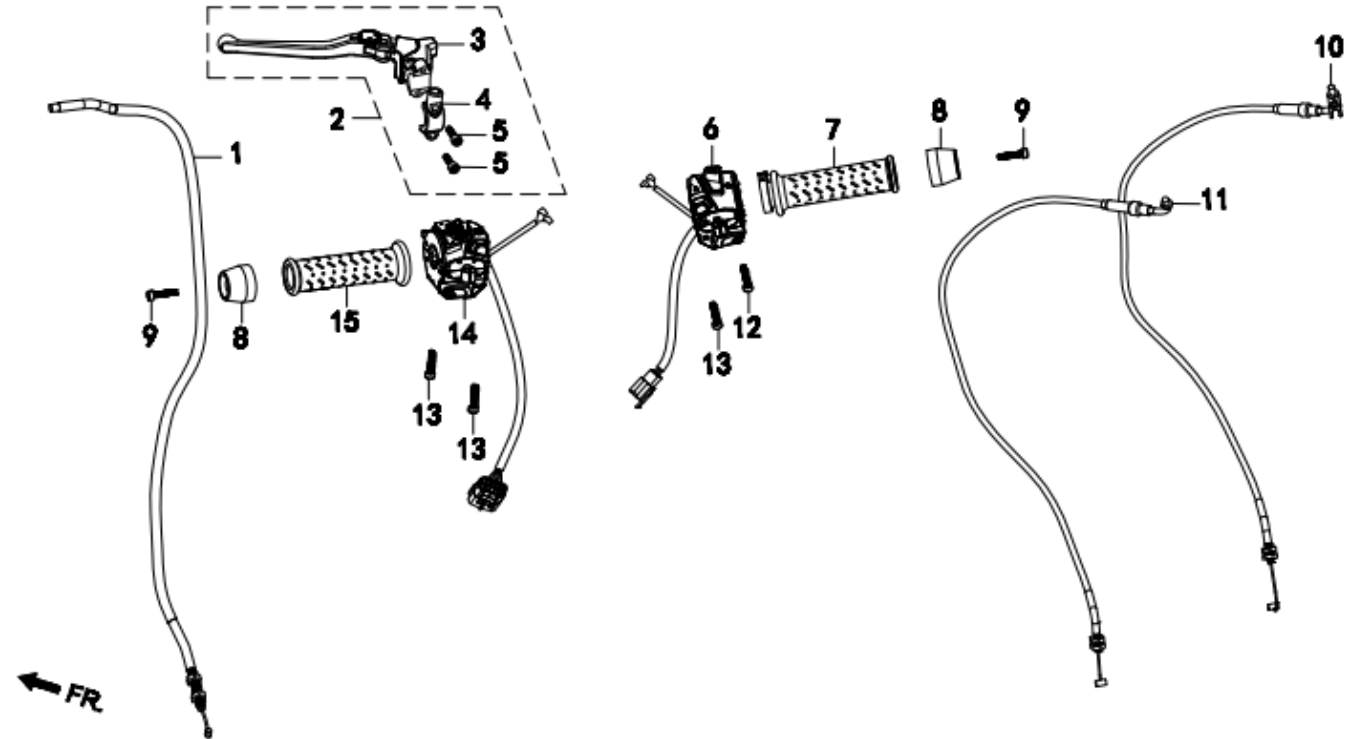
**F-3
TAIL-LIGHT**



← FR.

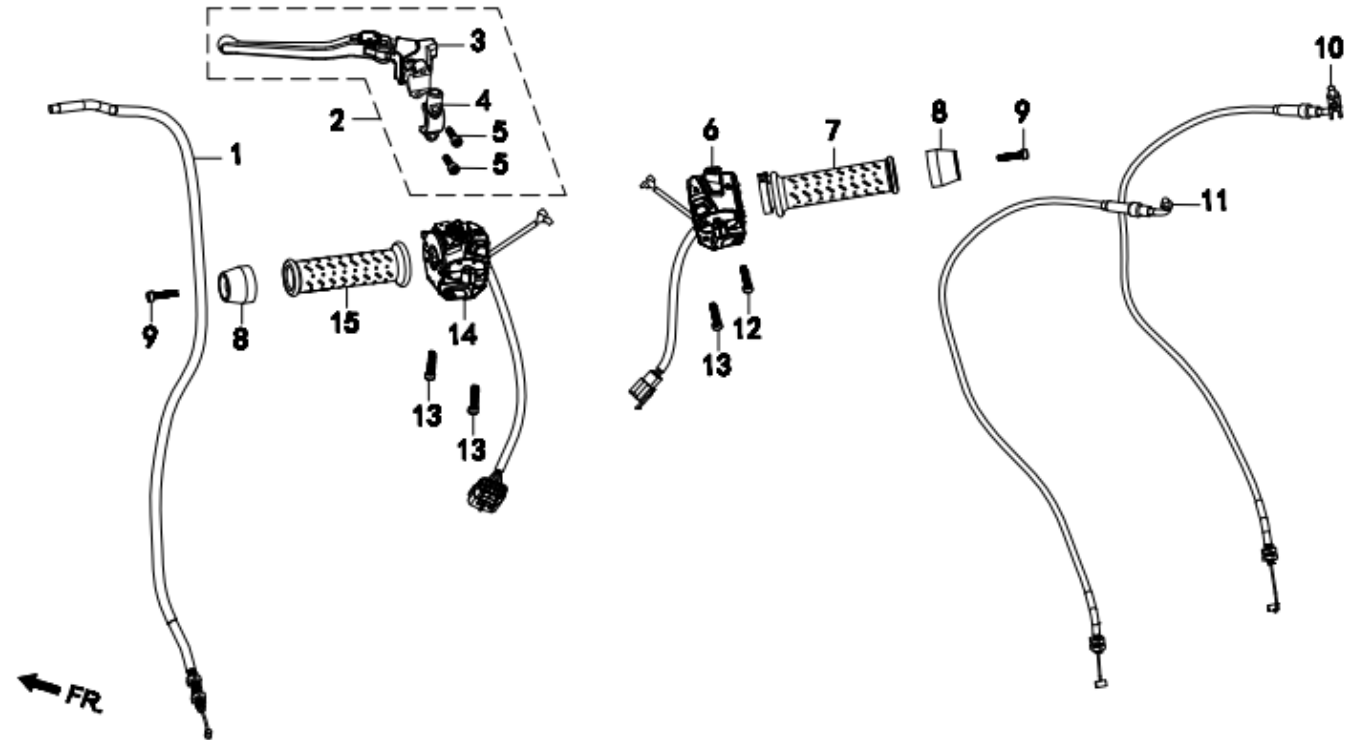
REF. No.	PART NO.		PART NAME	REQD.QTY	NOTES
1	3881000604700		TAIL-LIGHT ASSY.	1	
2	GB818050120		SCREW,PAN HEAD,M5×12	3	

F-4 HANDLE LEVER/ SWITCH/CABLE



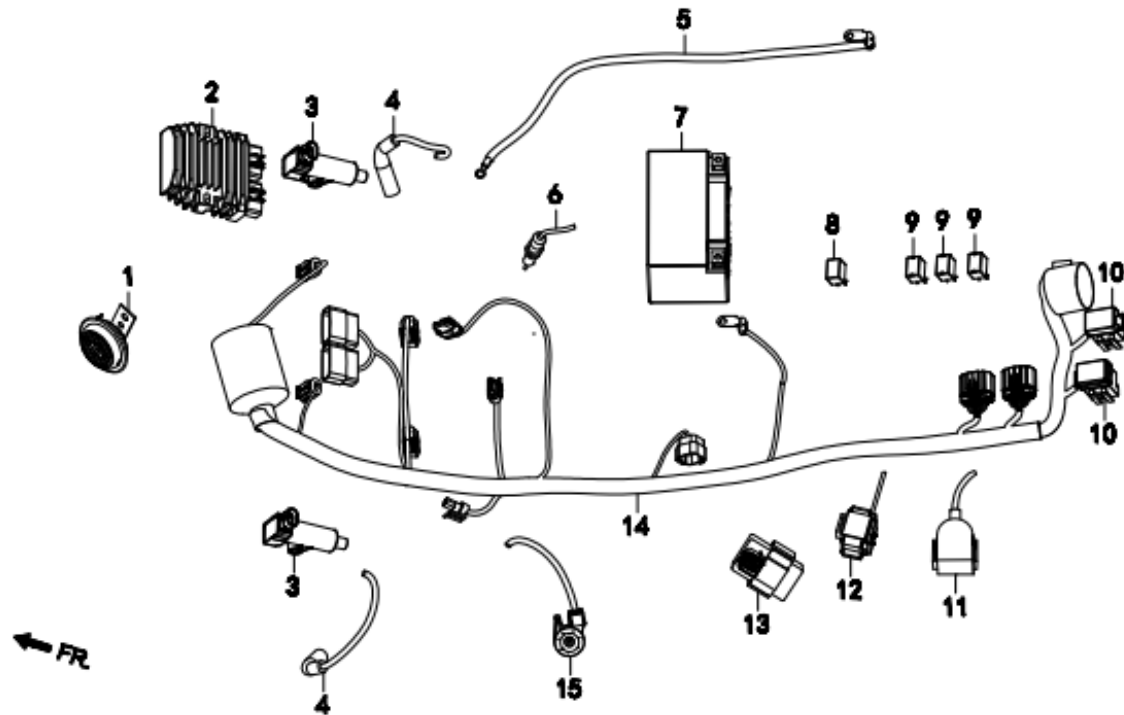
REF. No.	PART NO.	PART NAME	REQD.QTY	NOTES
1	3121000604700	CABLE, CLUTCH	1	
2	3113000604700	L. BRAKE HANDLE	1	
3	3113001604700	LEVER, L. HANDLE	1	
4	3113002604700	HOLDER, L. BRAKE HANDLE	1	
5	GB/T 70.1	HEXAGON SOCKET HEAD CAP SCREWS	2	
6	3751000604700	SWITCH ASSY., R. HANDLE	1	
7	3112000603900	GRIP COMP., THROTTER	1	
8	3116000604700	BALANCERSET, HANDLEBAR	2	
9	GB/T 70.1	HEXAGON SOCKET HEAD CAP SCREWS	2	
10	3124100604700	CABLE, THROTTLE, ENTER	1	

F-4 HANDLE LEVER/ SWITCH/CABLE



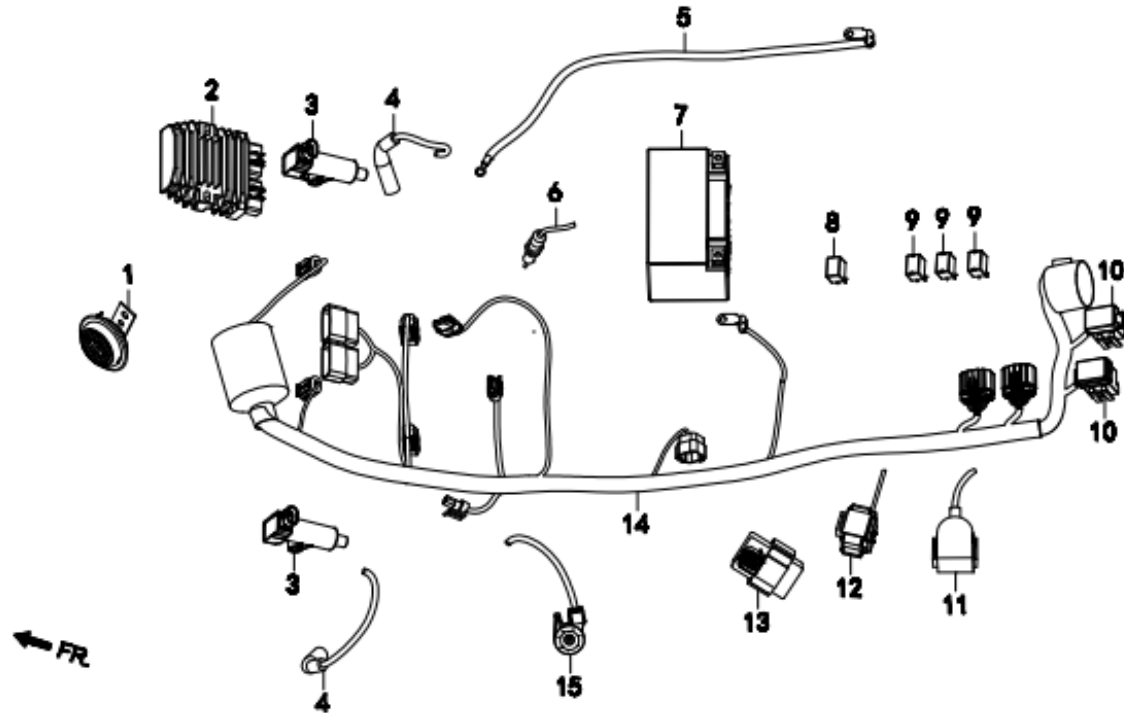
REF. No.	PART NO.	PART NAME	REQD.QTY	NOTES
11	3124200604700	CABLE, THROTTLE,RETURN	1	
12	GB/T 70.1	HEXAGON SOCKET HEAD CAP SCREWS	1	
13	GB/T 70.1	HEXAGON SOCKET HEAD CAP SCREWS	3	
14	3741000604700	SWITCH ASSY., L. HANDLE	1	
15	3110001603800	GRIP, L. HANDLE	1	

F-5 WIRE/BATTERY/ REGULATOR



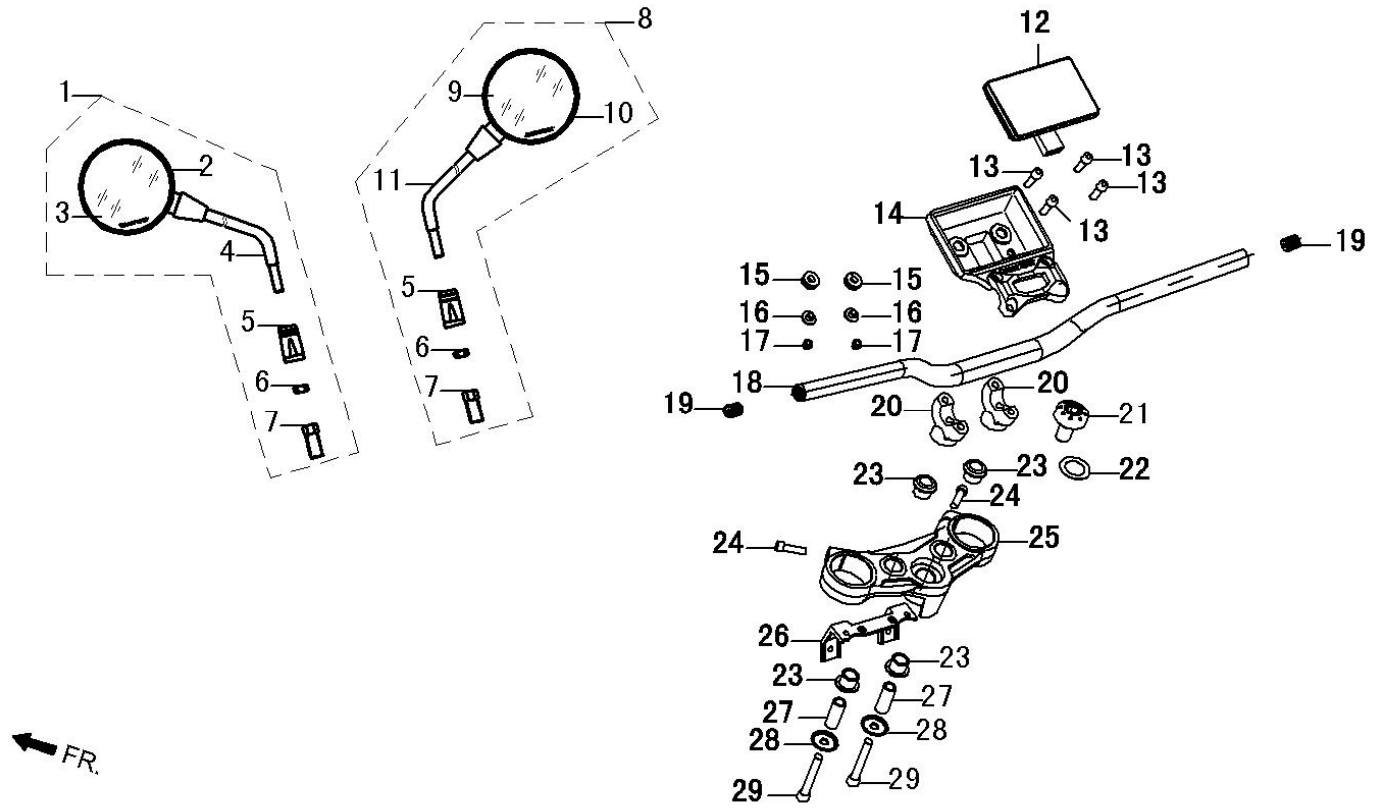
REF. No.	PART NO.	PART NAME	REQD.QTY	NOTES
1	37000001780	HORN	1	
2	3850000604700	RECTIFIER	1	
3	3810000603701	COIL ASSY., IGNITION	2	
4	3810001604700	COVER,IGNITION PLUG	2	
5	3772000604700	CABLE,BATTERY EARTH	1	
6	37600001010	SWITCH, RR. STOP LIGHT	1	
7	3780000603900	BATTERY	1	
8	3450012604700	RELAY(NC, 10A)	1	
9	3450011604700	RELAY(NO, 20A)	3	
10	37710036080	FUSE BOX	2	

F-5
**WIRE/BATTERY/
 REGULATOR**



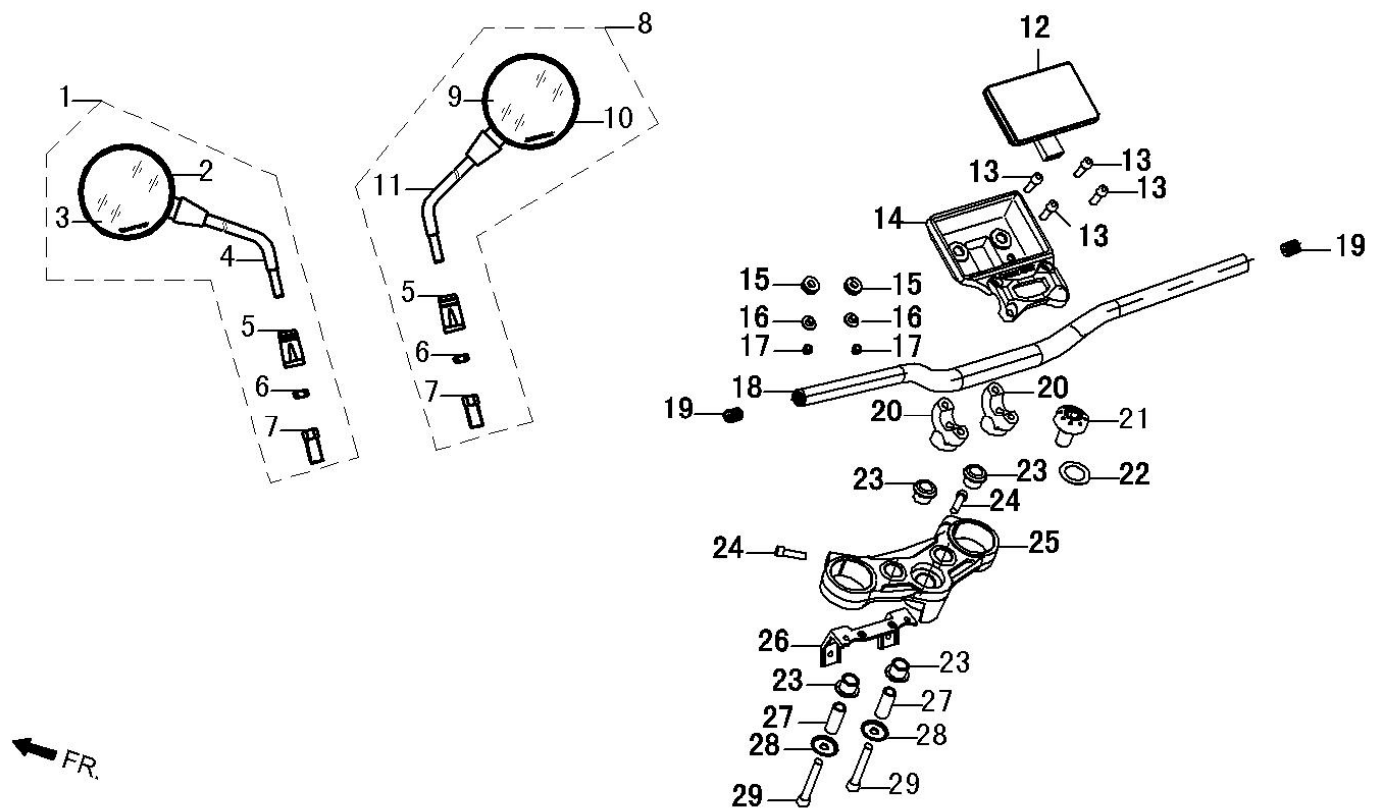
REF. No.	PART NO.	PART NAME	REQD.QTY	NOTES
11	3800000603800	STARTING RELAY	1	
12	3892000603800	SWITCH,TIP	1	
13	3790000604700	FLASHER	1	
14	3771000604700	CABLE	1	
15	3891000604700	SWITCH,SIDE STAND	1	

**F-6
REARVIEW MIRROR/
HANDLE BAR/
TOP BRIDGE**



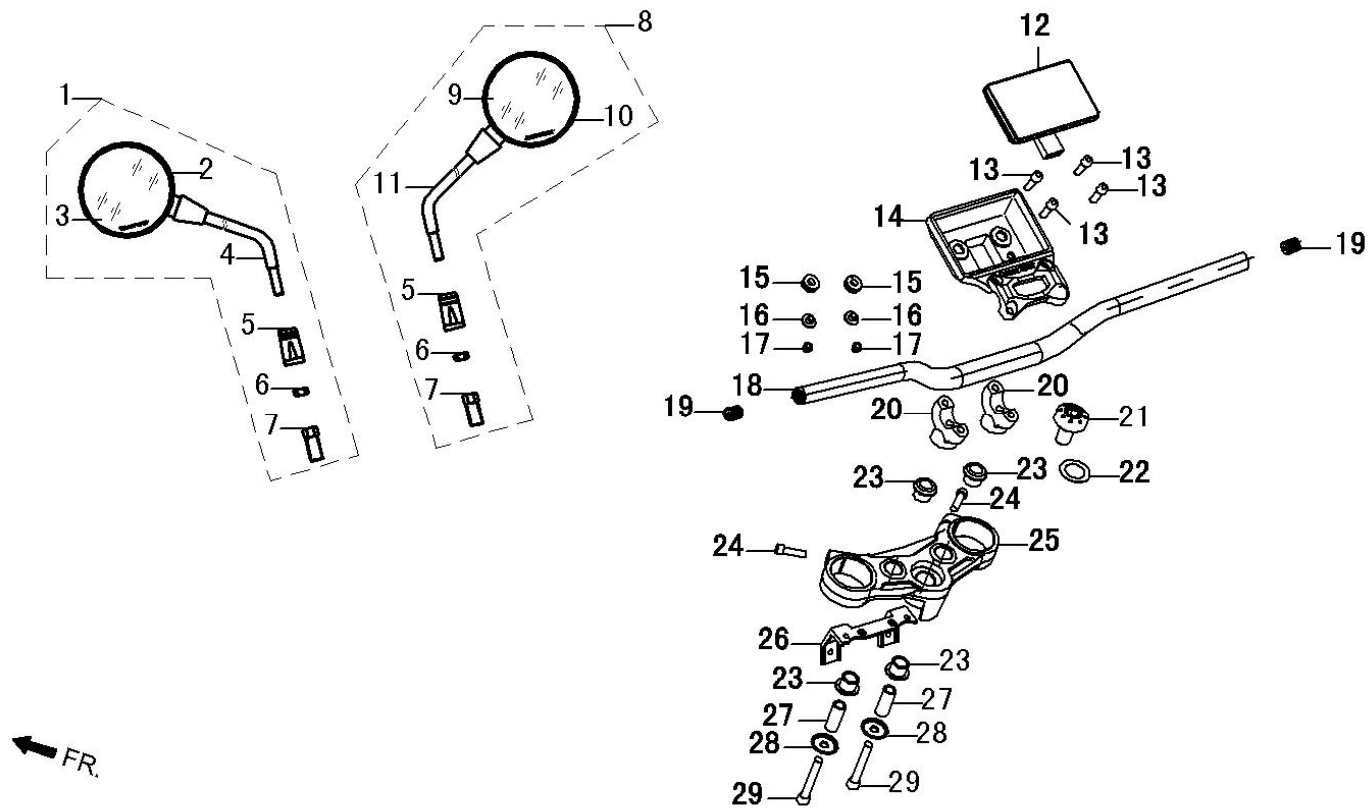
REF. No.	PART NO.	PART NAME	REQD.QTY	NOTES
1	3101000604700	REARVIEW MIRROR,L.	1	
2	3101011604700	FRAME, MIRROR, L.	1	
3	3101012604700	MIRROR, L	1	
4	3101013604700	SUPPORT ROD, L	1	
5	3101014604700	CAP, LOCK NUT	2	
6	3101015604700	NUT M10×1.25	2	
7	3101016604700	CONNECTION SCREW	2	
8	3102000604700	REARVIEW MIRROR, R.	1	
9	3102011604700	MIRROR, R	1	
10	3102012604700	FRAME, MIRROR, R.	1	

**F-6
REARVIEW MIRROR/
HANDLE BAR/
TOP BRIDGE**



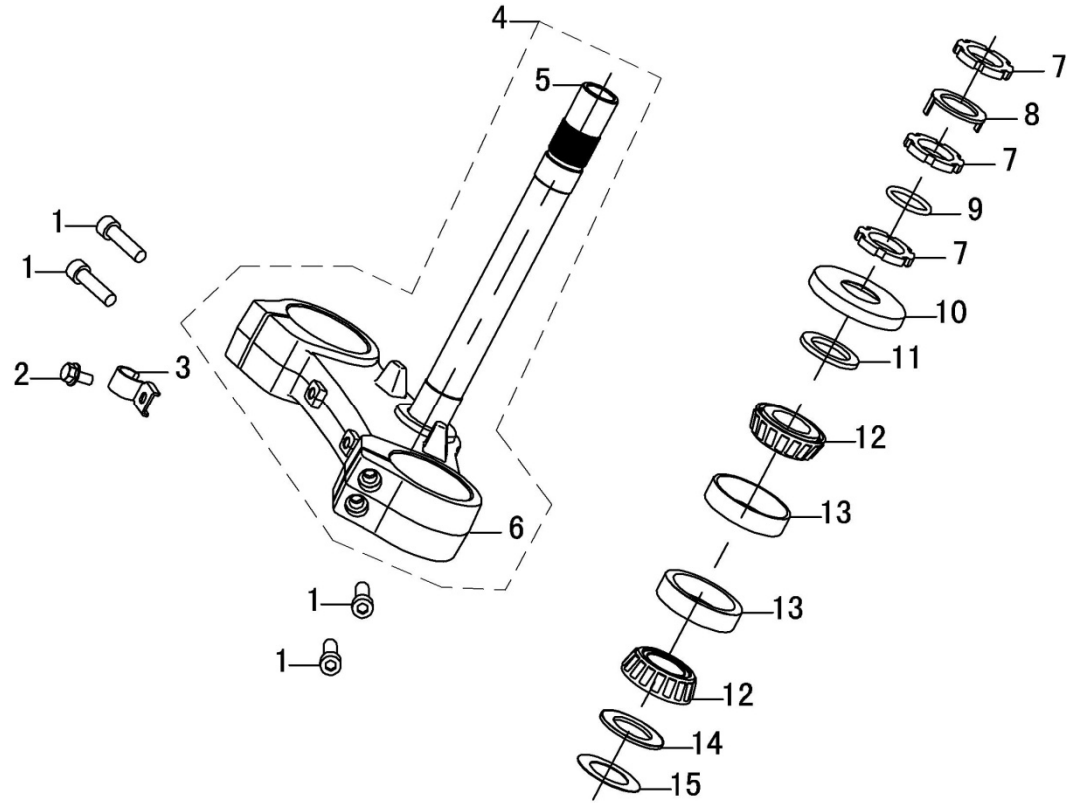
REF. No.	PART NO.	PART NAME	REQD.QTY	NOTES
11	3102013604700	SUPPORT ROD, R	1	
12	3871000604700	METER	1	
13	GB70080250C	SCREW ,M8×25	4	
14	31400086050	HOLDER, A2, UPPER	1	
15	34300261010	RUBBER	2	
16	34402244040	BUSH	2	
17	GB923060C	NUT,STEERING STEM,M6	2	
18	3110000604700	HANDLE BAR	1	
19	3110011604700	HANDLE, SCREW	2	
20	3140014604700	HANDLE SEAT	2	

**F-6
REARVIEW MIRROR/
HANDLE BAR/
TOP BRIDGE**



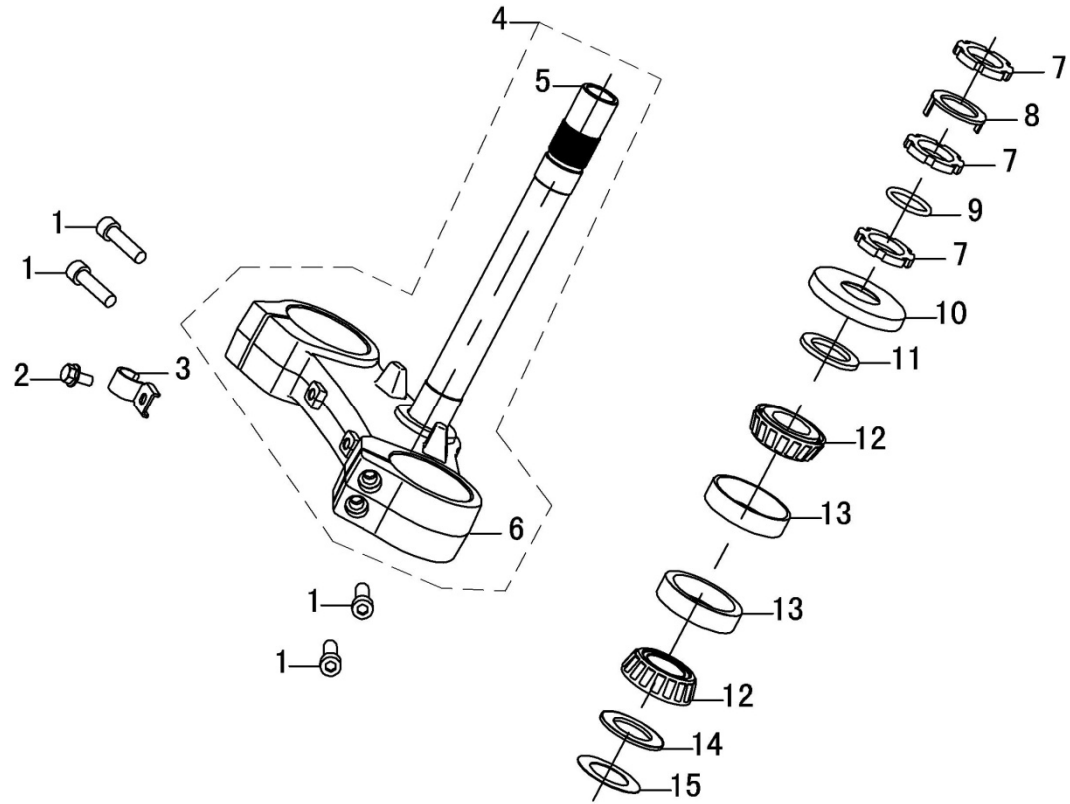
REF. No.	PART NO.	PART NAME	REQD.QTY	NOTES
21	3140016604700	SCREW,STEERING STEM	1	
22	3140017604700	WASHER,STEERING STEM	1	
23	3430143604700	RUBBER,HANDLE SEAT	4	
24	GB70080300C	SCREW ,M8×30	2	
25	3142000604700	BRIDGE ,FORK TOP	1	
26	3442100604700	BRACKET UPPER,HEAD LIGHT	1	
27	3440518604700	BUSH,HANDLE SEAT	2	
28	3140519604700	WASHER,HANDLE SEAT	2	
29	GB70100650125	SCREW ,M10×1.25×65	2	

F-7 STEERING STEM



REF. No.	PART NO.	PART NAME	REQD.QTY	NOTES
1	GB70080300C	SCREW ,M8×30	4	
2	GB5789060100	BOLT, FLANGE ,M6×10	1	
3	34400781780	TUBING CLAMP, TOP	1	
4	3141000604700	STEERING COLUMN ASSEMBLY	1	
5	3141001604700	STEERING STEM	1	
6	3141002604700	LOWER BRIDGE	1	
7	3140009604700	NUT, LOCK	3	
8	3140018604700	LOCK NUT CARD	1	
9	3148000604700	O-RING,φ23.6×2.65	1	
10	3140010604700	SEAL COVER	1	

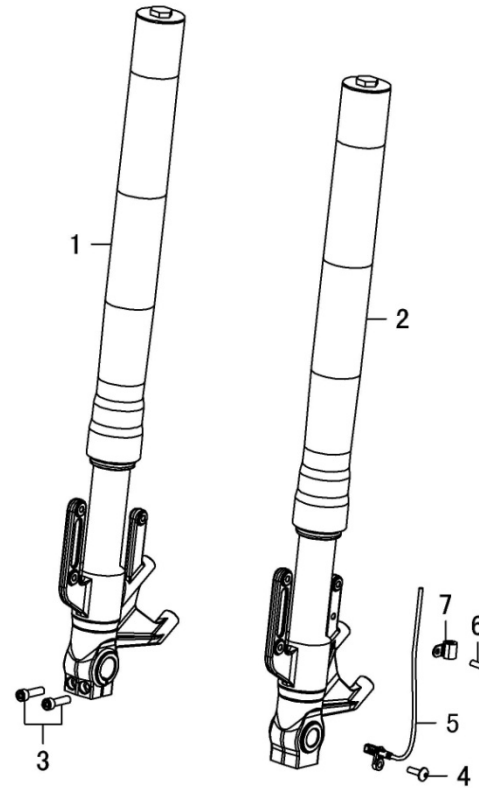
F-7 STEERING STEM



REF. No.	PART NO.	PART NAME	REQD.QTY	NOTES
11	3147000604700	UPPER BEARING GASKET	1	
12	3145000604300	NEEDLE BEARING,30205	2	
13	3145011604300	STEEL BOWL	2	
14	3140015604700	CUSHION	1	
15	3140019604700	LOWER BEARING GASKET	1	

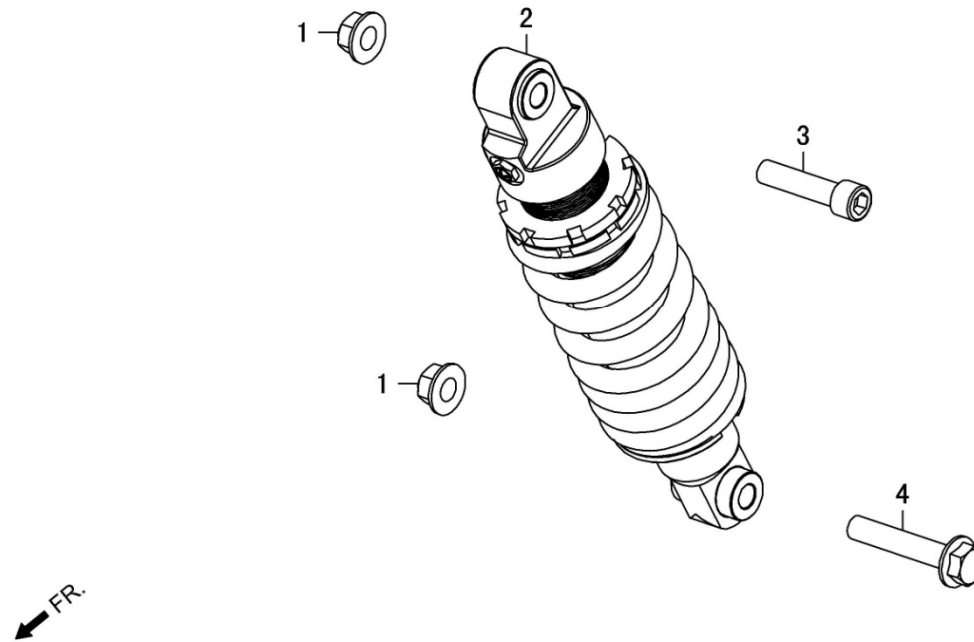
F-8 FRONT ABSORBER

FR.



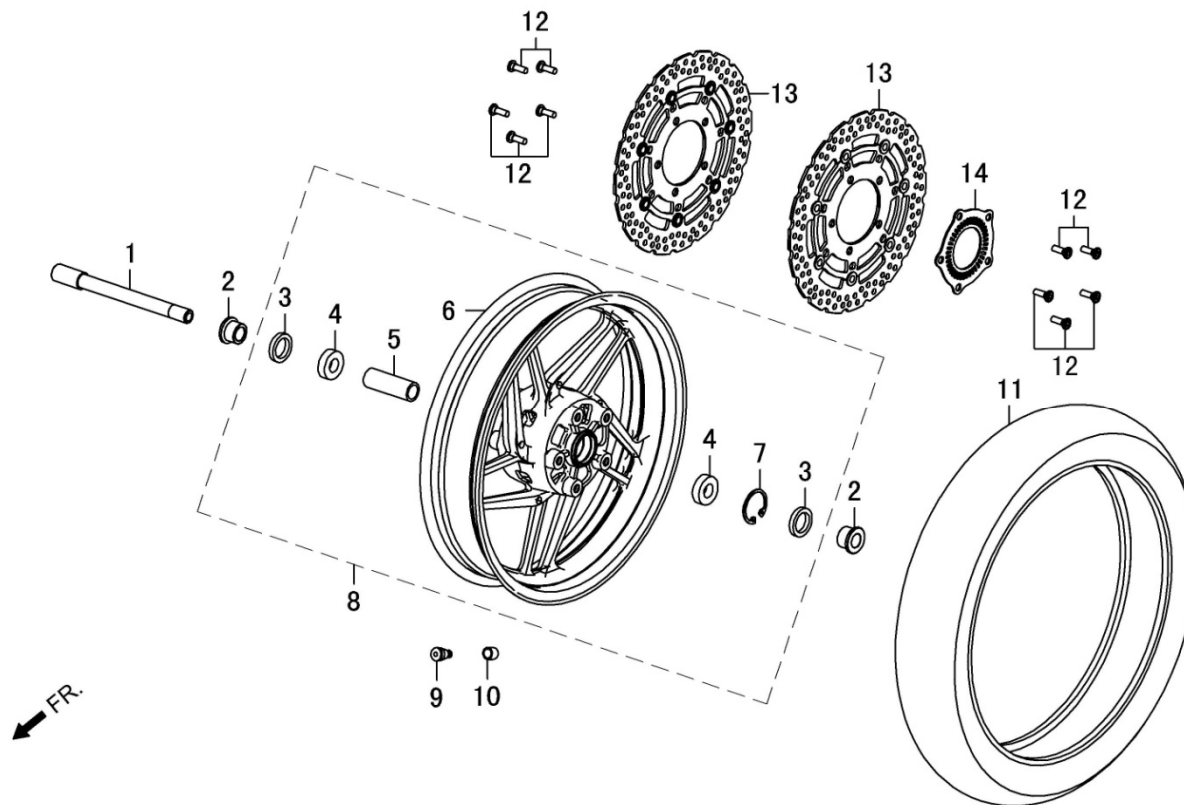
REF. No.	PART NO.	PART NAME	REQD.QTY	NOTES
1	3152100604700	ABSORBER,R.FR.	1	
2	3151100604700	ABSORBER,L.FR.	1	
3	GB70080300C	BOLT, INNER M8×30	2	
4	920186590	BOLT, SPHEREM6×12	1	
5	3198001603800	WHEEL SPEED SENSOR	1	
6	920186550	BOLT, SPHEREM6×16	1	
7	3440240603800	WHEEL SPEED SENSOR CLAMP	1	

F-9 REAR ABSORBER



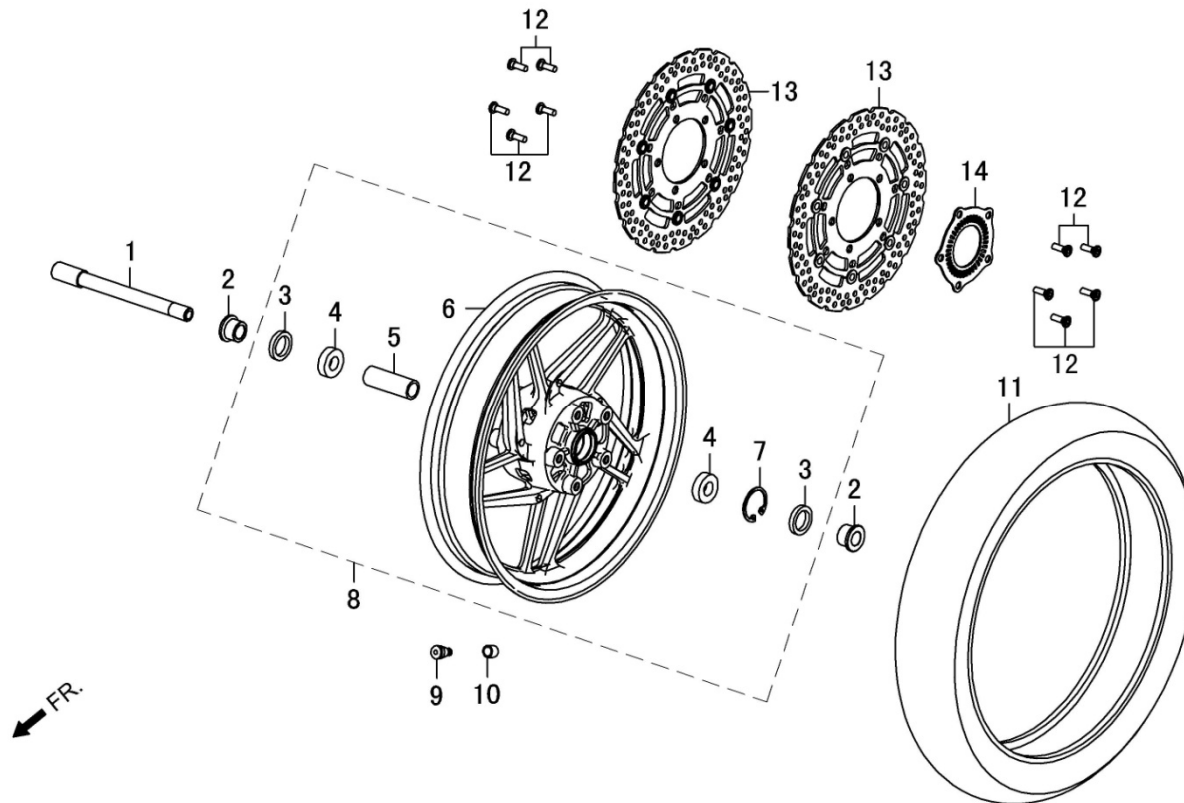
REF. No.	PART NO.	PART NAME	REQD.QTY	NOTES
1	GB6187120125E	NUT, FLANGE M12×1.25	2	
2	3300000604701	ABSORBER,RR.	1	
3	GB70120500125-109	BOLT, INNER M12×1.25×50	1	
4	GB16674120650125-10	BOLT, FLANGE M12×1.25×65	1	
	9			

F-10 FRONT WHEEL



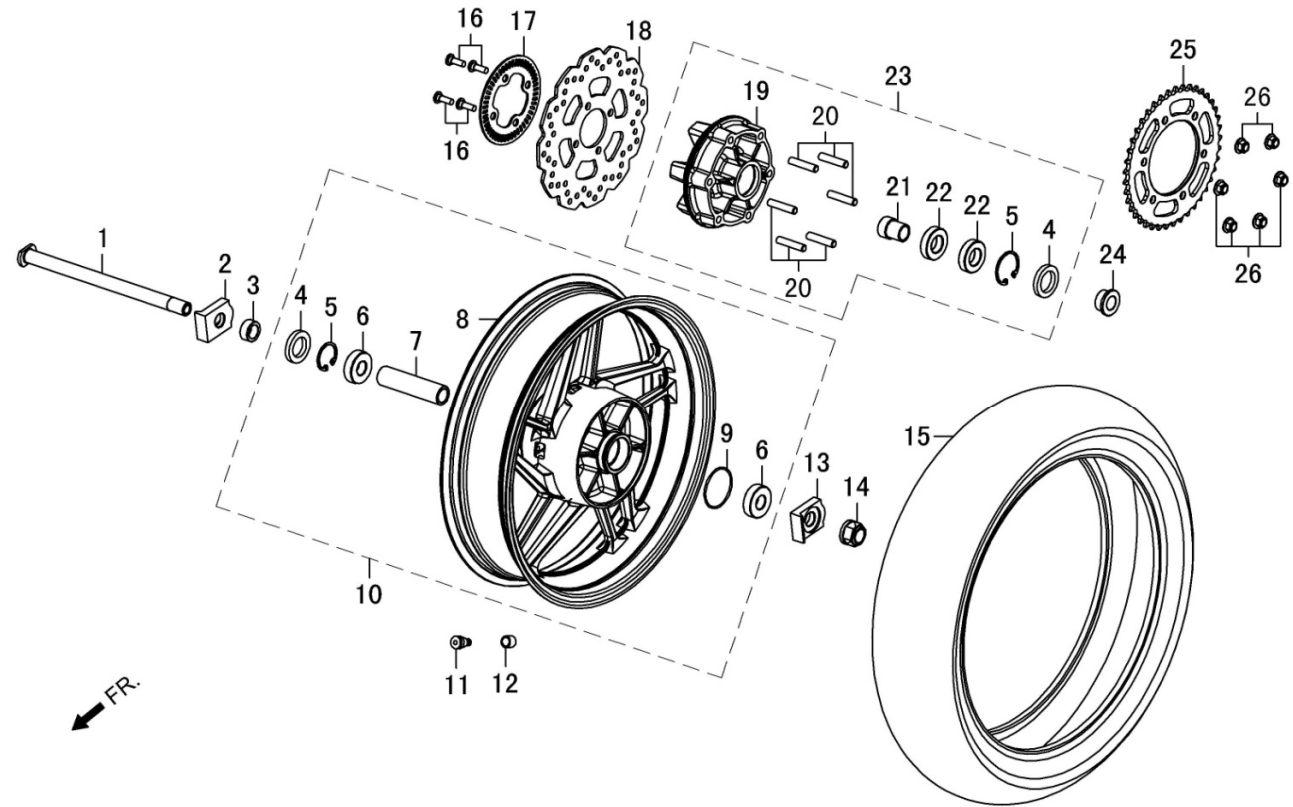
REF. No.	PART NO.	CHINESE NAME	PART NAME	REQD.QTY	NOTES
1	3180001604700	前轮轴	AXLE, FR.	1	
2	3180002604700	前轮轴套	AXLE SLEEVE, FR.	2	
3	GB/T 9877.1	密封圈 30×42×7	SEAL RING 30×42×7	2	
4	GB/T 276	滚动轴承 6004-2RS	BEARING 6004-2RS	2	
5	3181211604700	中轴套	AXLE SLEEVE	1	
6	3181212604700	前轮辋	RIM, FR.	1	
7	GB/T 893.1	孔用弹性挡圈 42×1.5	CIRCLIP 42×1.5	1	
8	3181200604700	前轮 MT3.50×17	WHEEL, FR. MT3.50×17	1	
9	31850001030	气门嘴	VALVE	1	
10	31850111030	气门嘴螺帽	CAP,VALVE	1	

F-10 FRONT WHEEL



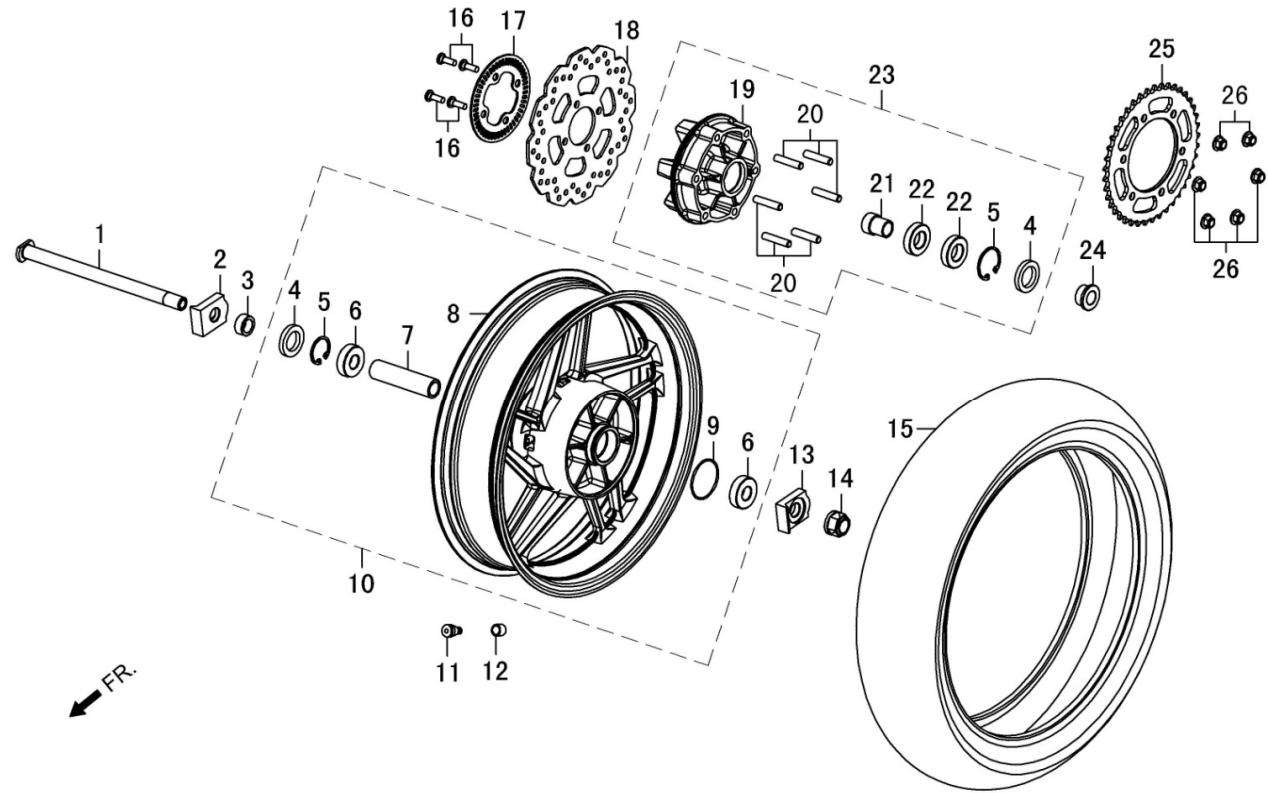
REF. No.	PART NO.	CHINESE NAME	PART NAME	REQD.QTY	NOTES
11	3184200604701	前轮轮胎 110/70-17 M/C	TYRE, FR. 110/70-17 M/C	1	
12	920146090	碟刹盘螺栓 M8×25-5	BOLT, BRAKE DISC M8×25-5	10	
13	3191001604700	前制动盘	BRAKE DISC, FR.	2	
14	3198002603800	前齿圈	RING GEAR, FR.	1	

F-11 REAR WHEEL



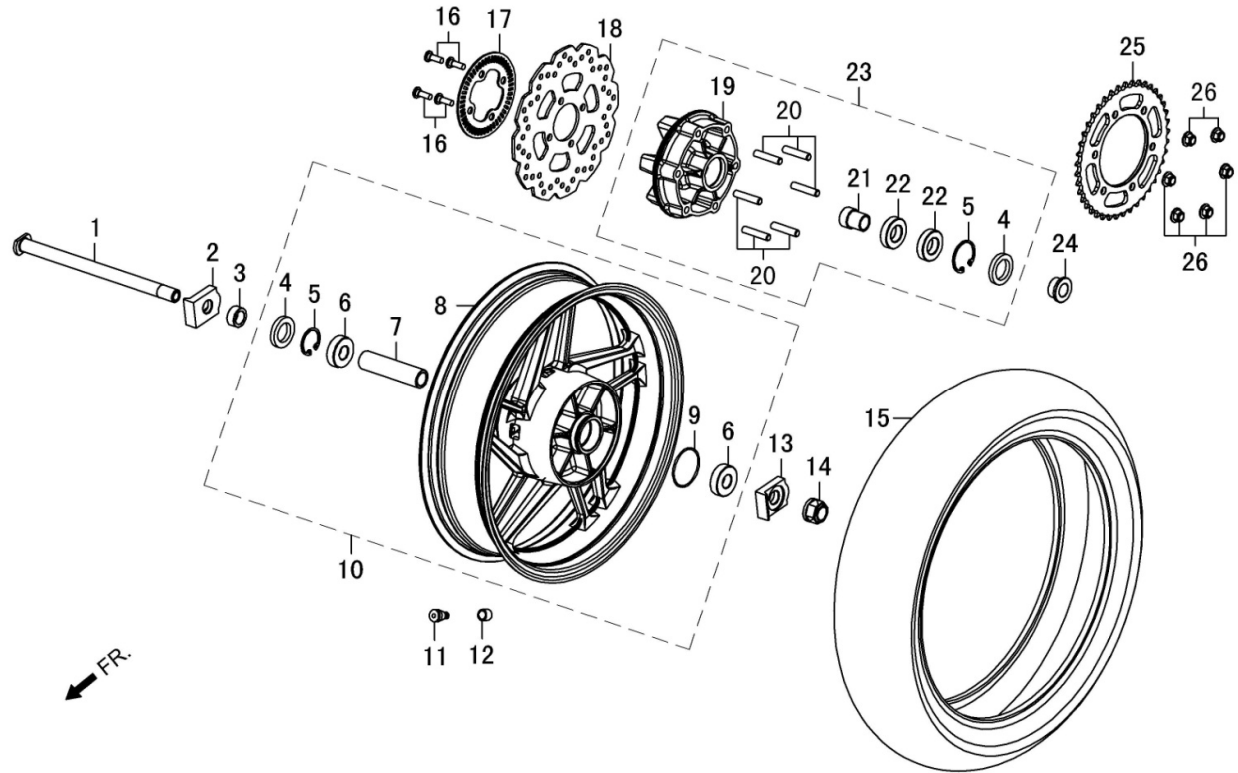
REF. No.	PART NO.	PART NAME	REQD.QTY	NOTES
1	3270001604700	AXLE, RR.	1	
2	3441001604700	CHAIN ADJUSTOR, R.	1	
3	3270003604700	AXLE SLEEVE, R. RR.	1	
4	GB/T 9877.1	SEAL RING30×47×7	2	
5	GB/T 893.1	CIRCLIP 47×1.5	2	
6	GB/T 276	BEARING 6204-2RS	2	
7	3271211604700	AXLE SLEEVE	1	
8	3271212604700	RIM, RR.	1	
9	GB/T 3452.1	O-RING 55×2.4	1	
10	3271200604700	WHEEL, RR. MT4.25×17	1	

F-11 REAR WHEEL



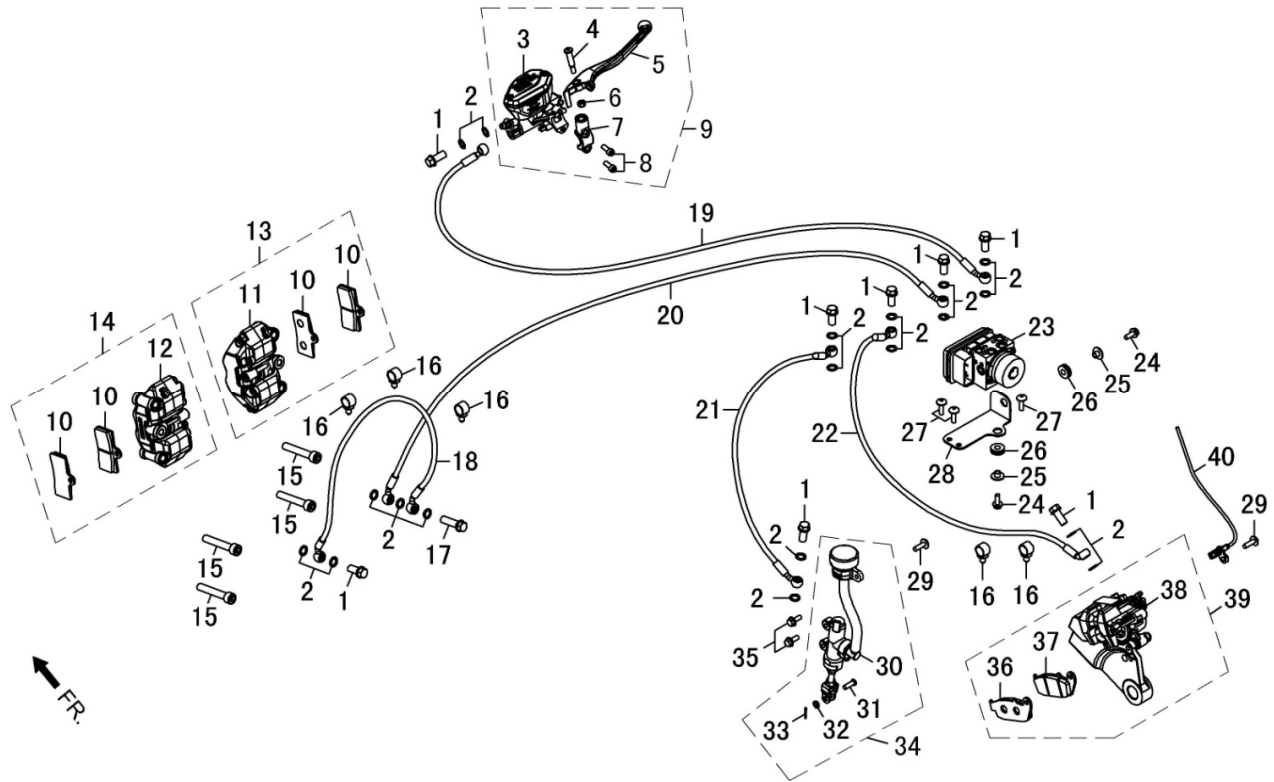
REF. No.	PART NO.	PART NAME	REQD.QTY	NOTES
11	31850001030	VALVE	1	
12	31850111030	CAP,VALVE	1	
13	3441000604700	CHAIN ADJUSTOR, L.	1	
14	3270001604700	HEXAGON FLANGE NUTS M20×1.5	1	
15	3274200604701	WHEEL, RR. 150/60-17M/C	1	
16	920146090	BOLT, BRAKE DISC M8×25-5	4	
17	3288002603800	RING GEAR, RR.	1	
18	3281001604700	BRAKE DISC, RR.	1	
19	3276111604700	FLANGE SUBASSY DRIVEN	1	
20	3276112604700	BOLT	6	

F-11 REAR WHEEL



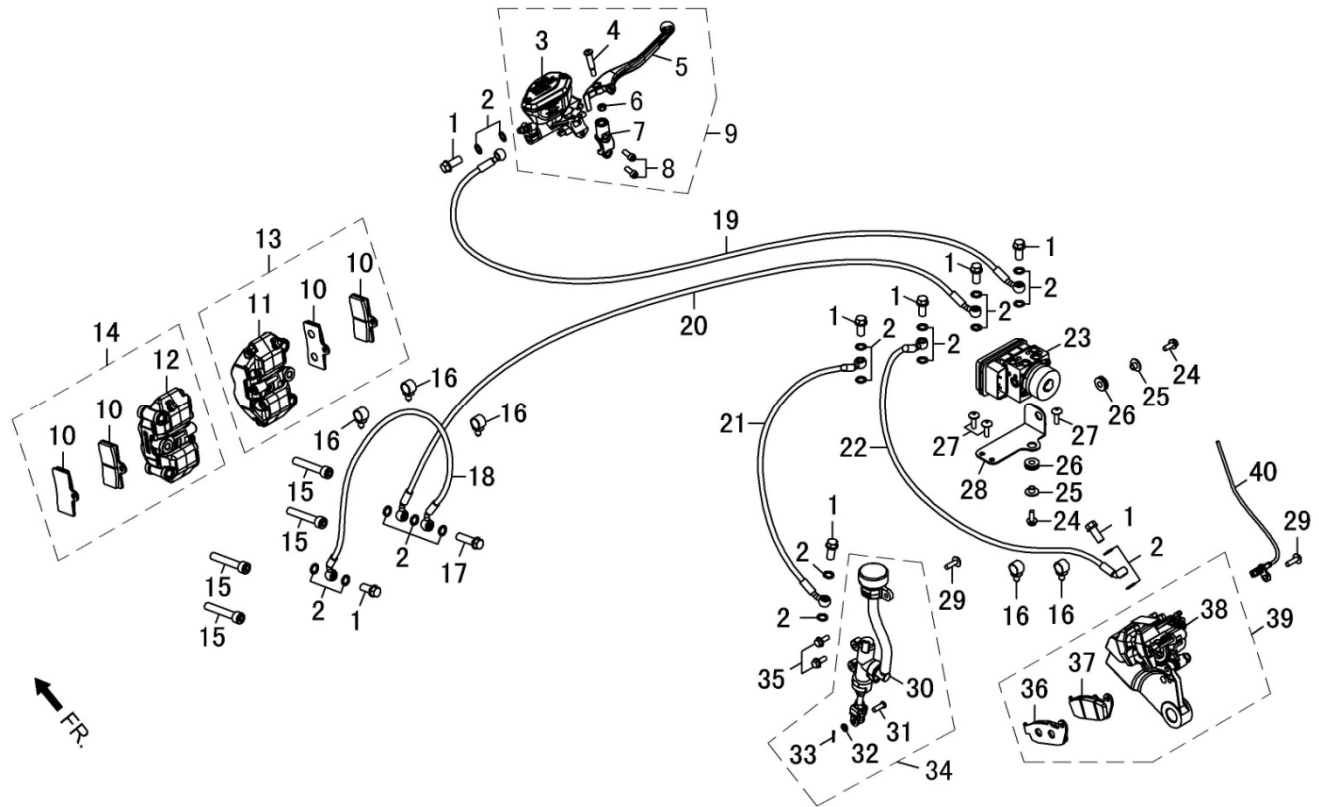
REF. No.	PART NO.	PART NAME	REQD.QTY	NOTES
21	3276113604700	AXLE SLEEVE	1	
22	GB/T 276	BEARING 6005-2RS	2	
23	3276100604700	FLANGE SUBDRIVEN	1	
24	3270002604700	AXLE SLEEVE, L. RR.	1	
25	3276010604700	SPROCKET 41T	1	
26	GB6187100125	NUTFLANGEM10×1.25	6	

F-12 DISC BRAKE



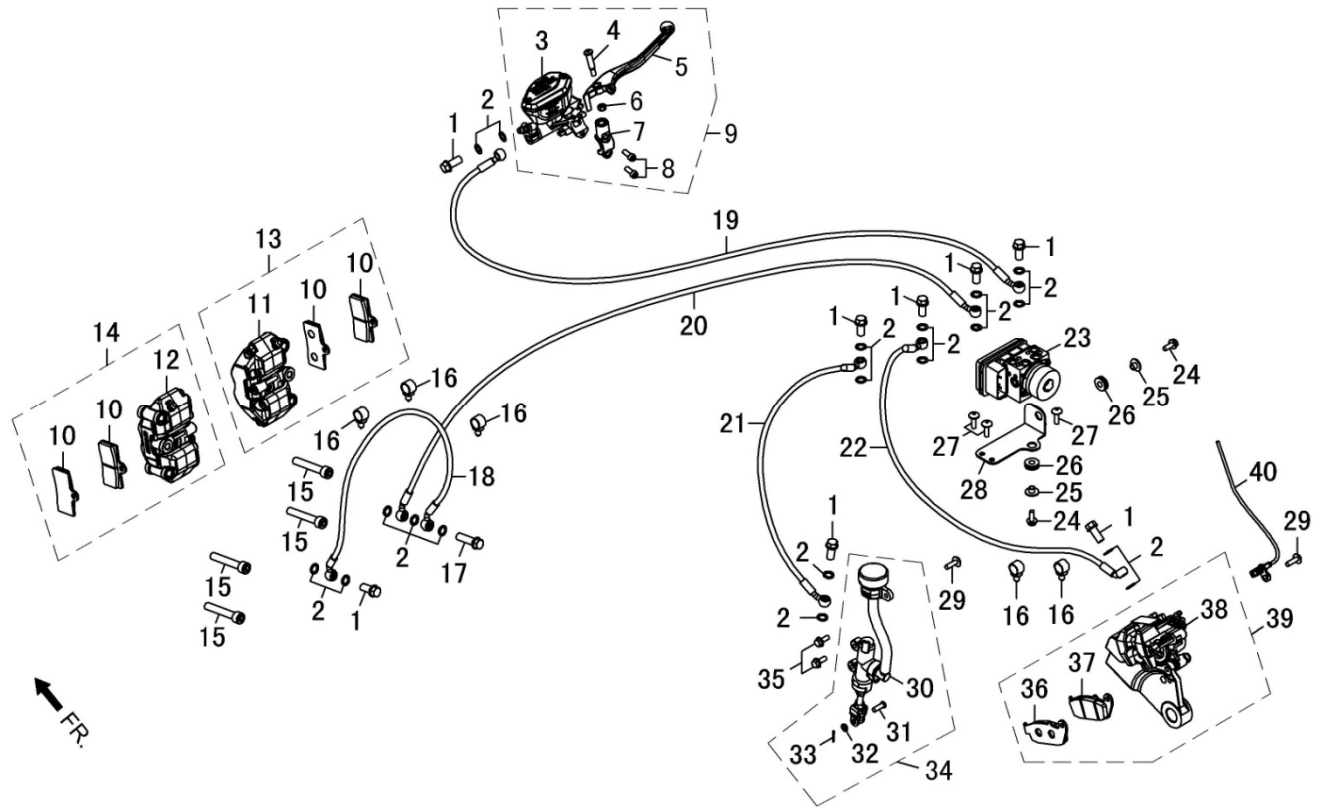
REF. No.	PART NO.	PART NAME	REQD.QTY	NOTES
1	3191105603800	BOLT I	4	
2	3191104603800	BRAKE WASHER	19	
3	3191111604700	BRAKE FR.	1	
4	3191112604700	BOLT, BRAKE HANDLE	1	
5	3191113604700	BRAKE HANDLE	1	
6	3191114604700	NUT M6	1	
7	3191115604700	HOLDER	1	
8	GB/T70.1	BOLT, INNER M6×22	2	
9	3191101604700	BRAKE MAIN PUMP, FR.	1	
10	3191116604700	PAD ASSY, FR.	4	

F-12 DISC BRAKE



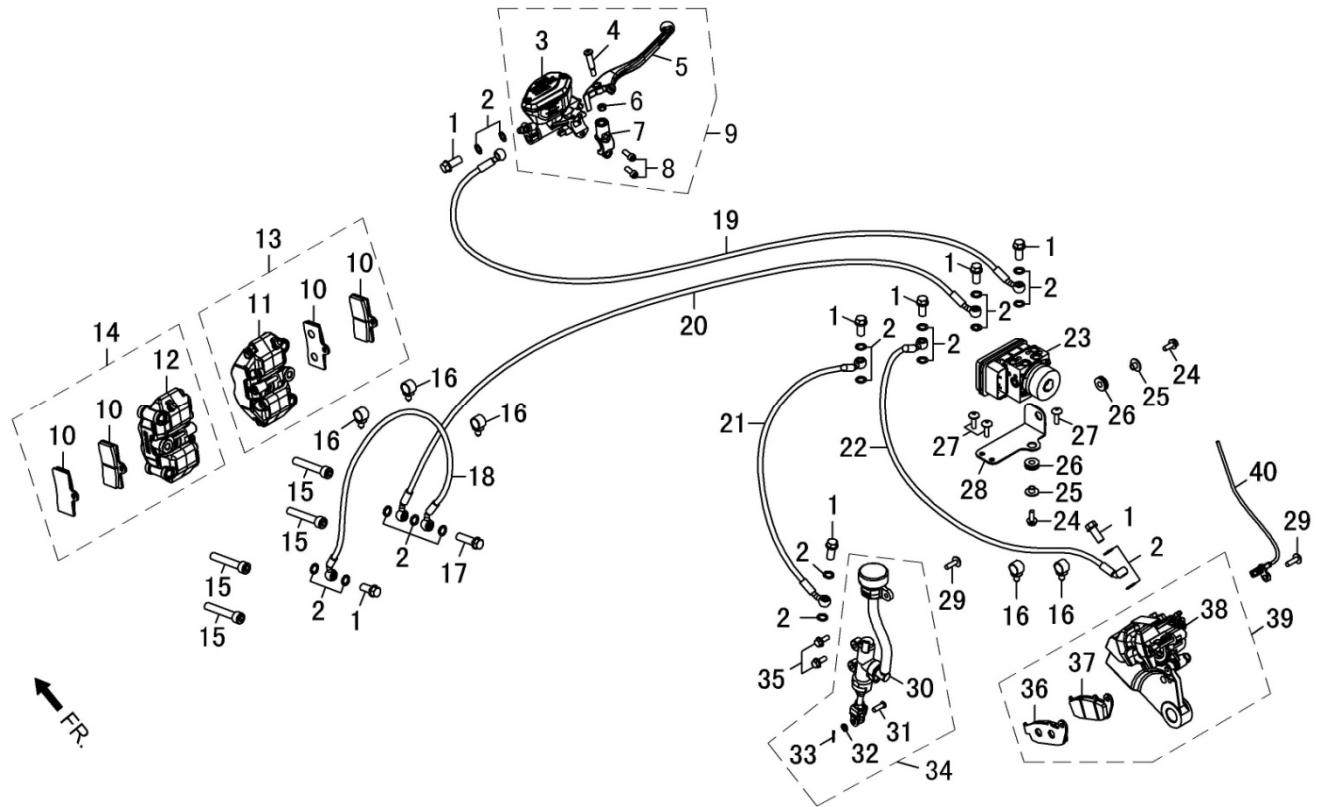
REF. No.	PART NO.	PART NAME	REQD.QTY	NOTES
11	3191117604700	BRAKE CALIPER, R.FR.	1	
12	3191118604700	BRAKE CALIPER, L.FR.	1	
13	3191103604700	BRAKE CALIPER, R.FR.	1	
14	3191102604700	BRAKE CALIPER, L.FR.	1	
15	GB/T70.1	BOLT, INNER M10×1.25×60	4	
16	34302013380	Clip I	5	
17	3191106603800	BOLT II	1	
18	3198005603800	RAKE CALIPER CONNECTING TUBING	1	
19	3198003604700	BRAKE MAIN PUMP TUBING,FR.	1	
20	3198004604700	BRAKE CALIPER TUBING,FR.	1	

F-12 DISC BRAKE



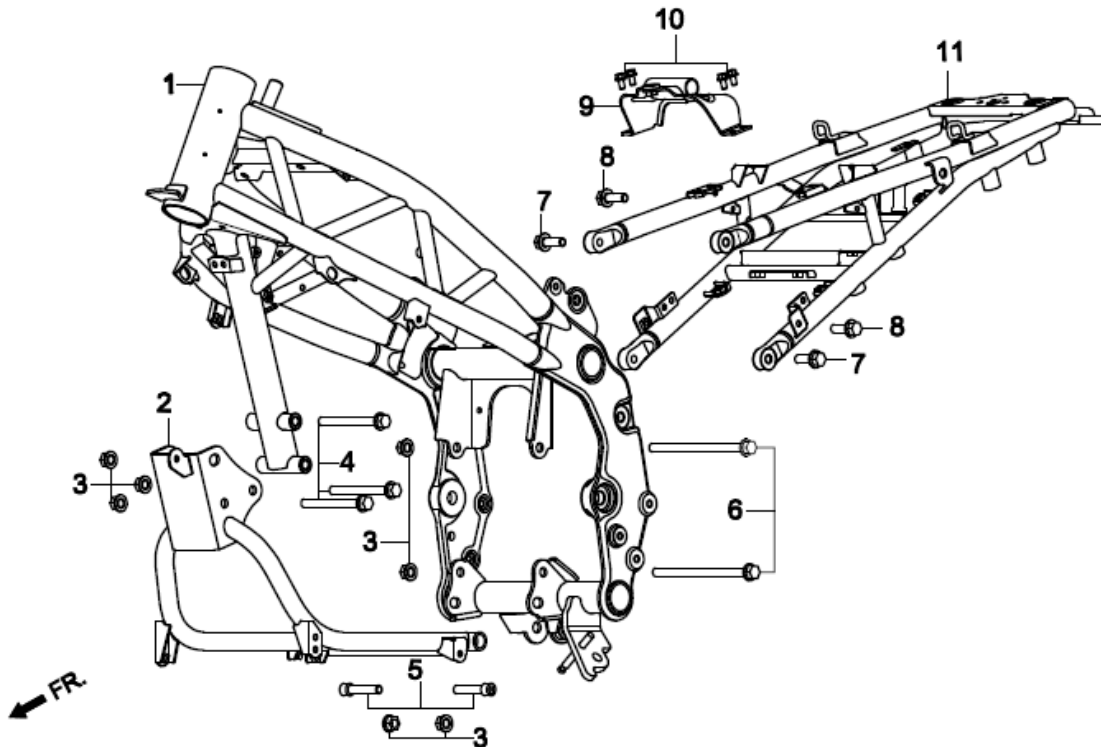
REF. No.	PART NO.	PART NAME	REQD.QTY	NOTES
21	3288003604700	BRAKE MAIN PUMP TUBING, RR.	1	
22	3288004604700	BRAKE CALIPER TUBING,RR.	1	
23	3198000603800	ABS HYDRAULIC UNIT	1	
24	GB5789060160	BOLT, FLANGEM6×16	2	
25	34402244040	BUSH	2	
26	34300261010	RUBBER	2	
27	920186590	BOLT, SPHERE M6×12	3	
28	3440239604700	ABS BRACKET	1	
29	920186550	BOLT, SPHERE M6×16	1	
30	3281111604700	BRAKE MAIN PUMP, RR.	1	

F-12 DISC BRAKE



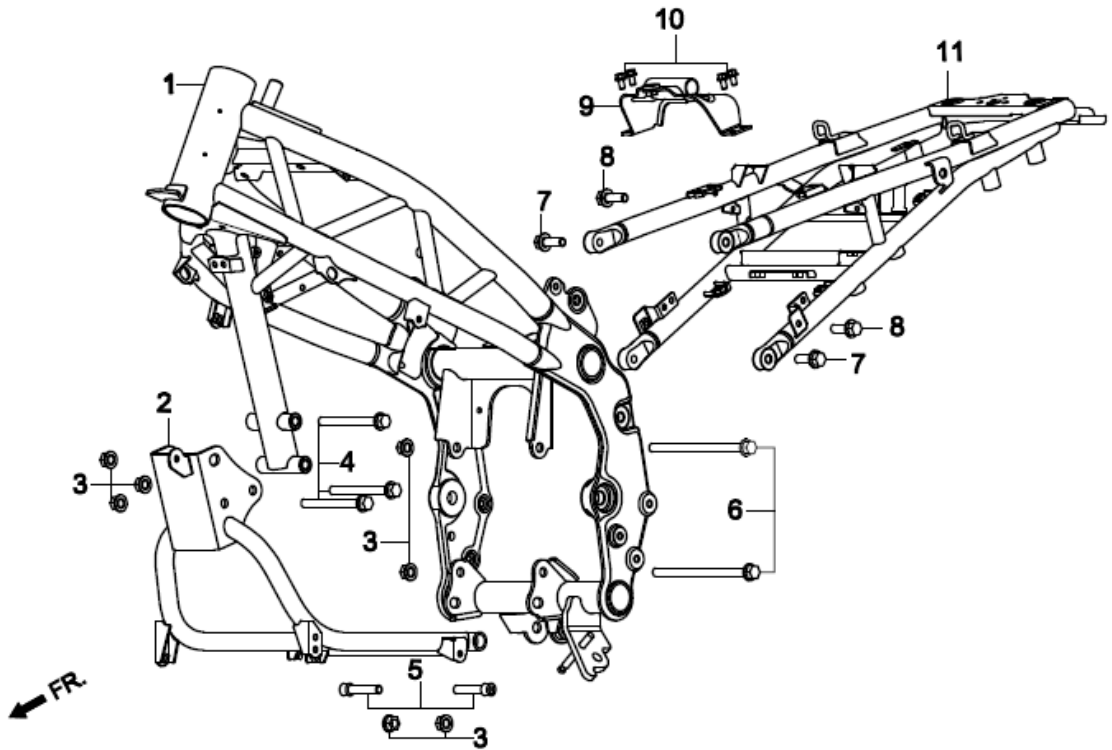
REF. No.	PART NO.	PART NAME	REQD.QTY	NOTES
31	3281112604700	PIN	1	
32	3281113604700	WASHER	1	
33	3281114604700	COTTER PIN	1	
34	3281101604700	BRAKE MAIN PUMP, RR.	1	
35	GB5789060250	BOLT, FLANGE M6×25	2	
36	3281115604700	PAD ASSY L.	1	
37	3281116604700	PAD ASSY R.	1	
38	3281117604700	BRAKE CALIPER, RR.	1	
39	3281102604700	BRAKE CALIPER, RR.	1	
40	3198001603800	WHEEL SPEED SENSOR	1	

F-13 FRAME BODY



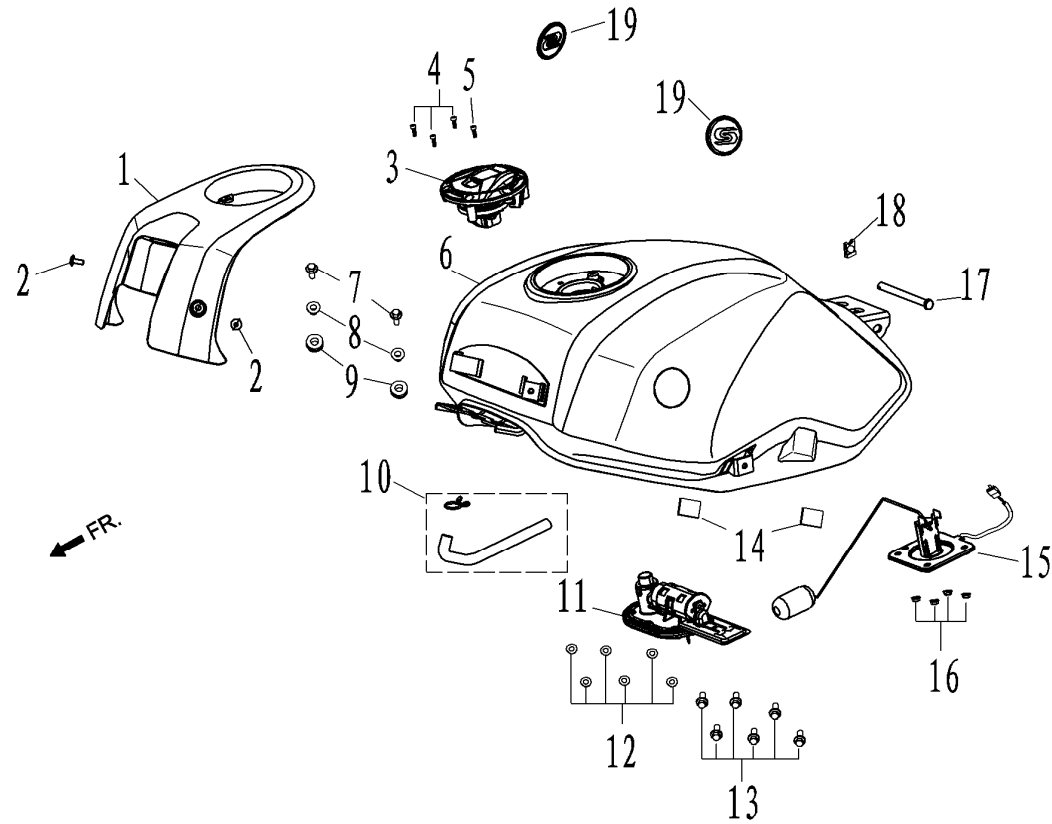
REF. No.	PART NO.	PART NAME	REQD.QTY	NOTES
1	4371000604700	FRAME BODY, FR.	1	
2	4374000604700	HOLDER	1	
3	GB6187100125	NUT,FLANGE SELF-LOCKING M10×1.25	7	
4	GB16674101000125-109	BOLT, FLANGE M10×1.25×100-10.9S	3	
5	GB70100500125-109	SCREW,COLUMN , M10×1.25×50-10.9S	2	
6	GB16674101600125-109	BOLT, FLANGE M10×1.25×160-10.9S	2	
7	GB16674100300125-109	BOLT, FLANGE M10×1.25×30-10.9S	2	
8	GB16674100250125-109	BOLT, FLANGE M10×1.25×25-10.9S	2	
9	4373000604700	BRACKET,CONNECT	1	
10	GB5789060120	BOLT, FLANGE M16×12	4	

F-13
FRAME BODY



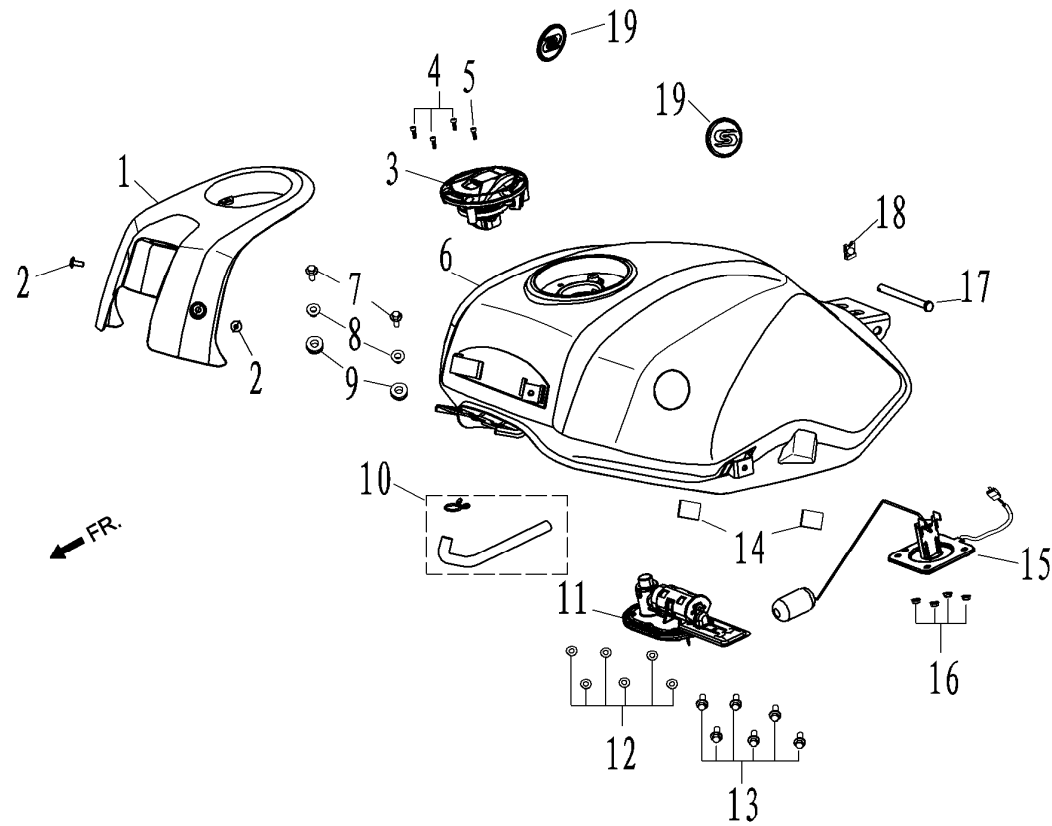
REF. No.	PART NO.		PART NAME	REQD.QTY	NOTES
11	337200604700		FRAME BODY, RR.	1	

F-14 FUEL TANK



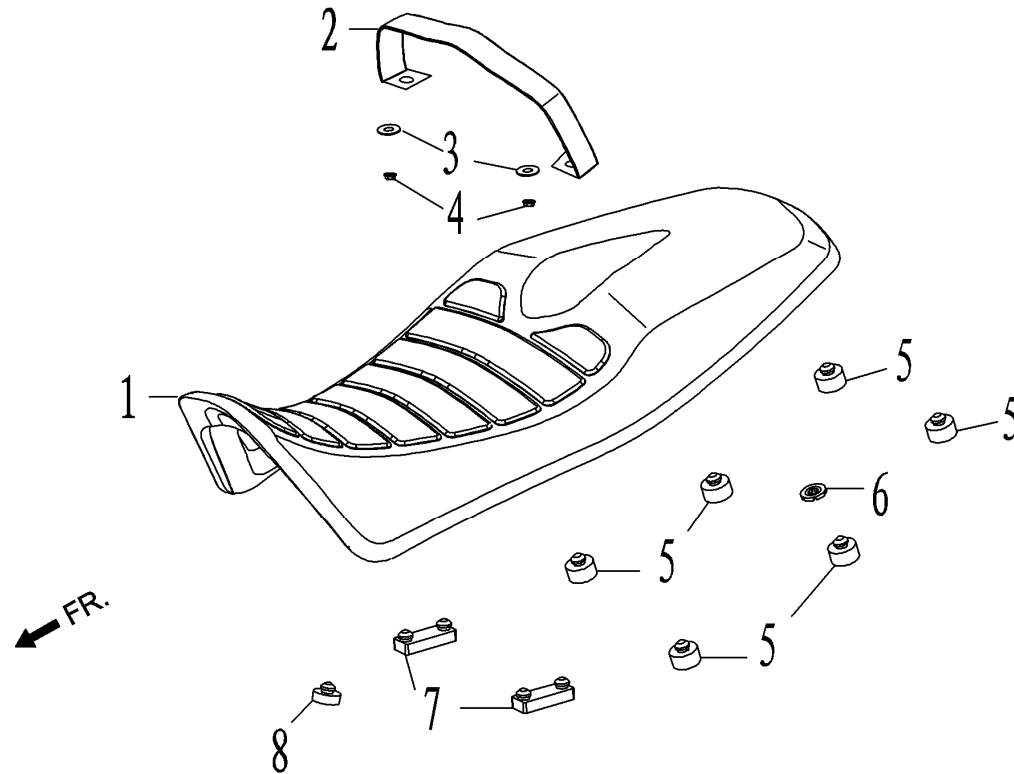
REF. No.	PART NO.	PART NAME	REQD.QTY	NOTES
1	3364000604700	COVER UP,FUEL TANK	1	
2	920186545	BOLT, INNER, M5×12	2	
3	3730000604700	LOCK, FUEL TANK	1	
4	GB/T 70.1	BOLT, INNER M5×20	3	
5	GB/T 70.1	BOLT, INNER M5×12	1	
6	4361000604700	FUEL TANK	1	
7	GB5789060200	BOLT, INNER M6×20	2	
8	34400131010	BUSH	2	
9	34300261440	RUBBER	2	
10	34301191953	VITTA, FUEL TANK	1	

F-14 FUEL TANK



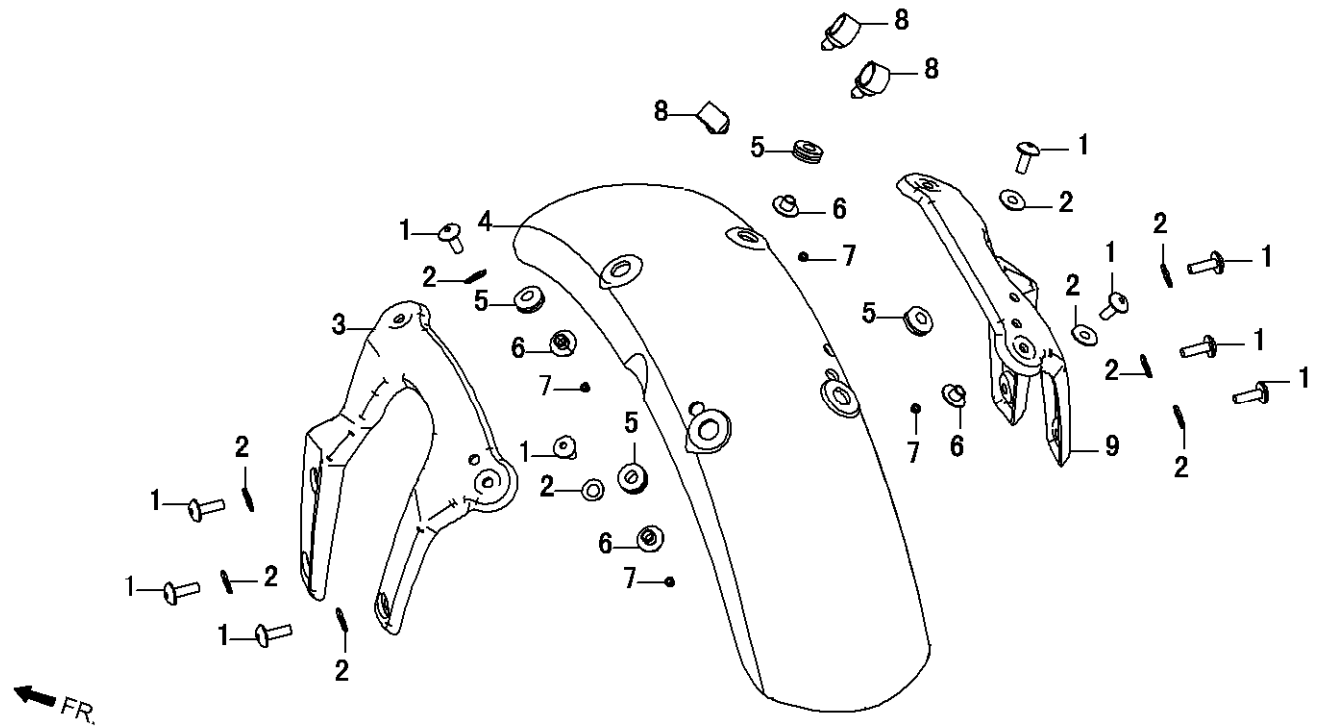
REF. No.	PART NO.	PART NAME	REQD.QTY	NOTES
11	3450008604700	OIL BURNING PUMP	1	
12	910412055	COPPER PAD ϕ 5	6	
13	GB16674050200B	BOLT, FLANGE (SMALL), M5 \times 20	6	
14	3430222604700	BACK GLUE BUCKLE	2	
15	3861000604700	SENSOR, FUEL CAPACITY	1	
16	GB6177060	NUT, FLANGE, M6	4	
17	3440515604700	CYLINDRICAL PIN	1	
18	3440516604700	SNAP RING	1	
19	3390091604700	LABEL,STS	2	

F-15 SEAT



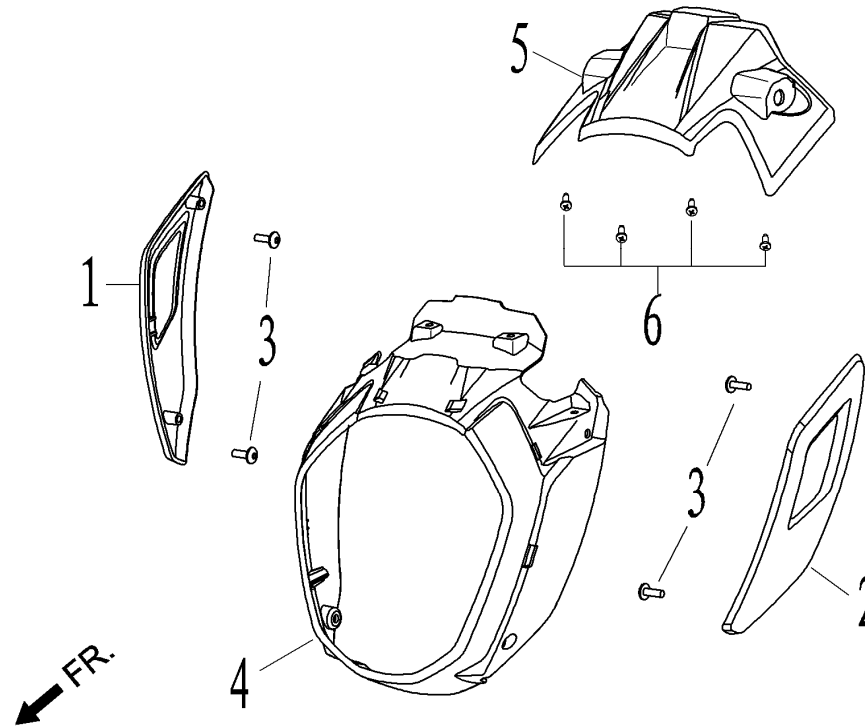
REF. No.	PART NO.	PART NAME	REQD.QTY	NOTES
1	3331000604700	SEAT	1	
2	3331011604700	SEAT CUSHION BELT	1	
3	GB/T 5287	WASHER, $\phi 6 \times \phi 22 \times 2$	2	
4	GB/T 6177.2	NUT, FLANGE, M6	2	
5	3331012604700	REAR DAMPER	6	
6	3331013604700	LOCK DAMPER	1	
7	3331014604700	MIDDLE DAMPER	2	
8	3331015604700	FRONT DAMPER	1	

F-16 FRONT FENDER



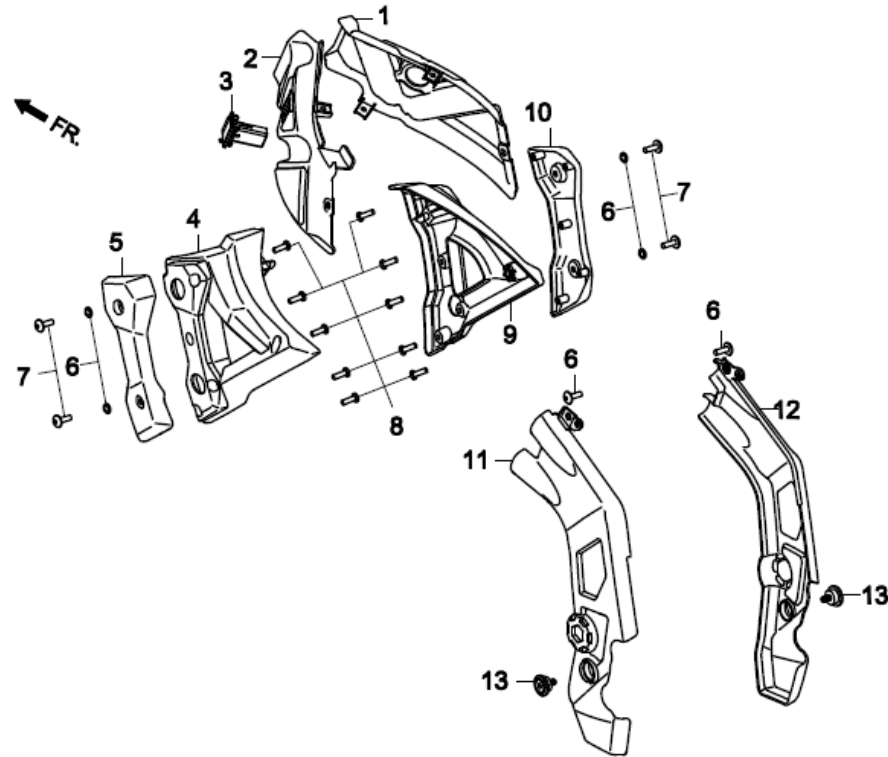
REF. No.	PART NO.	PART NAME	REQD.QTY	NOTES
1	920186560	BOLT, INNER, M6×20	10	
2	920400430	WASHER, PLAIN ,φ7.5×φ16×1.5	10	
3	3440138604700	LEFT SUPPORT OF FRONT MUDBOARD	1	
4	4171100604700	FRONT FENDER	1	
5	34300261010	RUBBER	4	
6	34400131010	BUSH	4	
7	GB6177060	GB6177M6	4	
8	34302013380	Clip 1	3	
9	3440139604700	RIGHT SUPPORT OF FRONT MUDBOARD	1	

F-17 COWLING



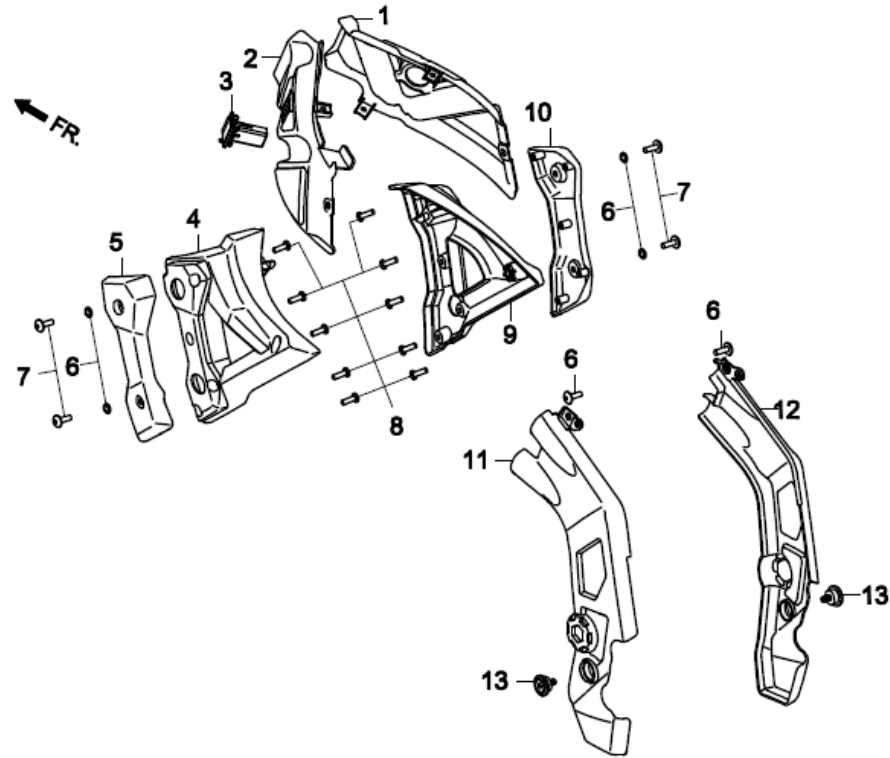
REF. No.	PART NO.	PART NAME	REQD.QTY	NOTES
1	3341003604700	COVER,COWLING, R	1	
2	3341002604700	COVER,COWLING, L	1	
3	910311064	SCREW, PAN HEAD, M5×12	4	
4	3341000604700	COWLING	1	
5	4341001604700	COVER,COWLING, UP	2	
6	910503044	SCREW, TAPPING, ST4.2×13	4	

F-18
COVER,FRAME BODY
COVER,RADIATOR



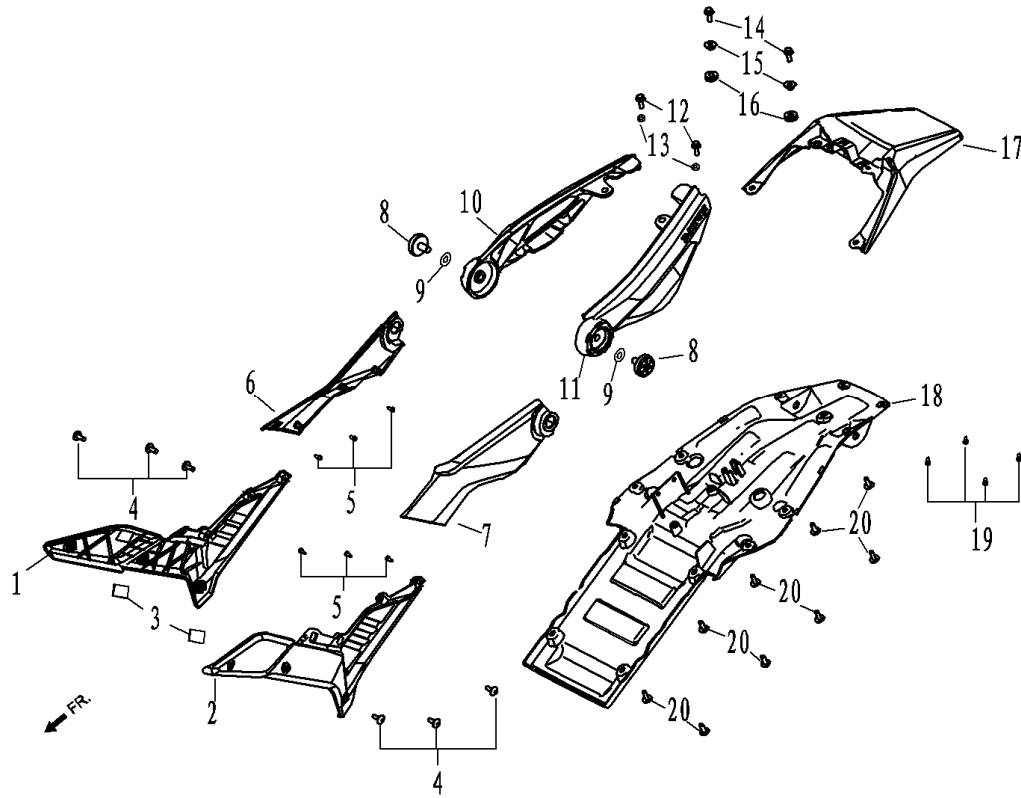
REF. No.	PART NO.		PART NAME	REQD.QTY	NOTES
1	3210028604700		GARNISH, R. FRAME BODY	1	
2	3210027604700		GARNISH, L. FRAME BODY	1	
3	3983000603800		USB CHARGER	1	
4	3210029604700		COVER, L.RADIATOR	1	
5	3210031604700		GARNISH, COVER, L.RADIATOR	1	
6	920186550		BOLT, INNER, M6×16	6	
7	GB818050100		SCREW, PAN HEAD, M5×10	10	
8	3210030604700		COVER, R.RADIATOR	2	
9	3210032604700		GARNISH, COVER, R.RADIATOR	1	
10	3370003604700		COVER, L.FRAME BODY	1	

F-18
COVER,FRAME BODY
COVER,RADIATOR



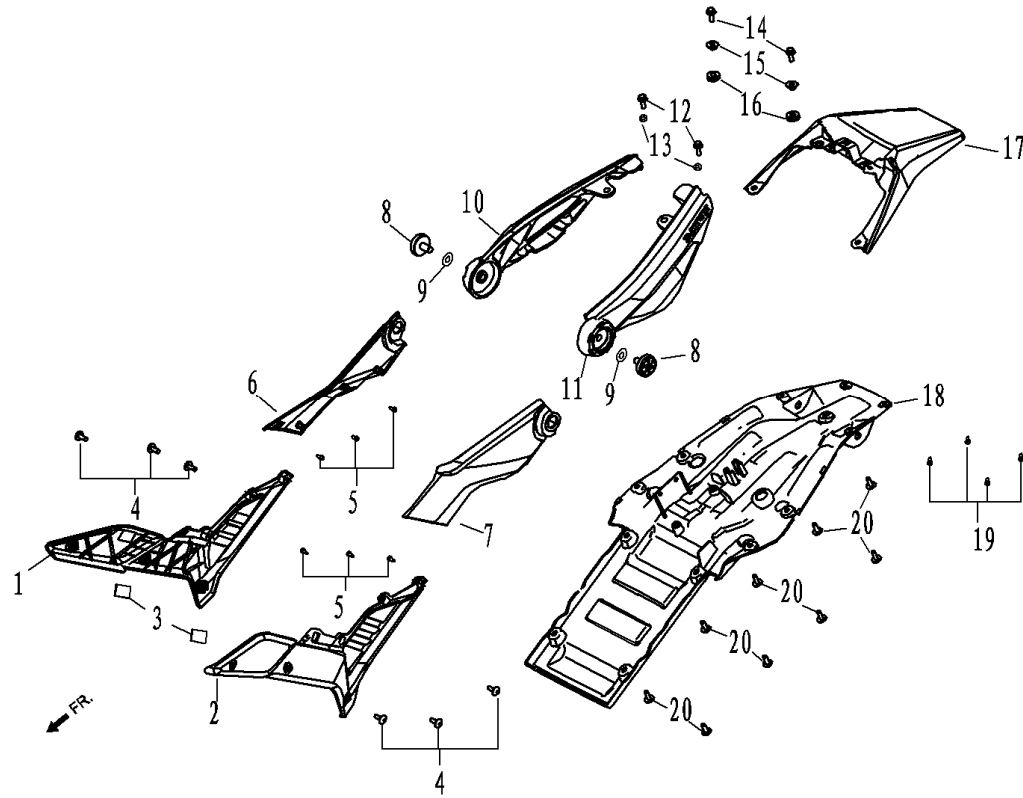
REF. No.	PART NO.		PART NAME	REQD.QTY	NOTES
11	3370004604700		COVER, R.FRAME BODY	1	
12	3373001604700		BOLT, COVER , M8×12	2	

F-19
SIDE COVER/
REAR ARMREST/
REAR COVER/
REAR FENDER



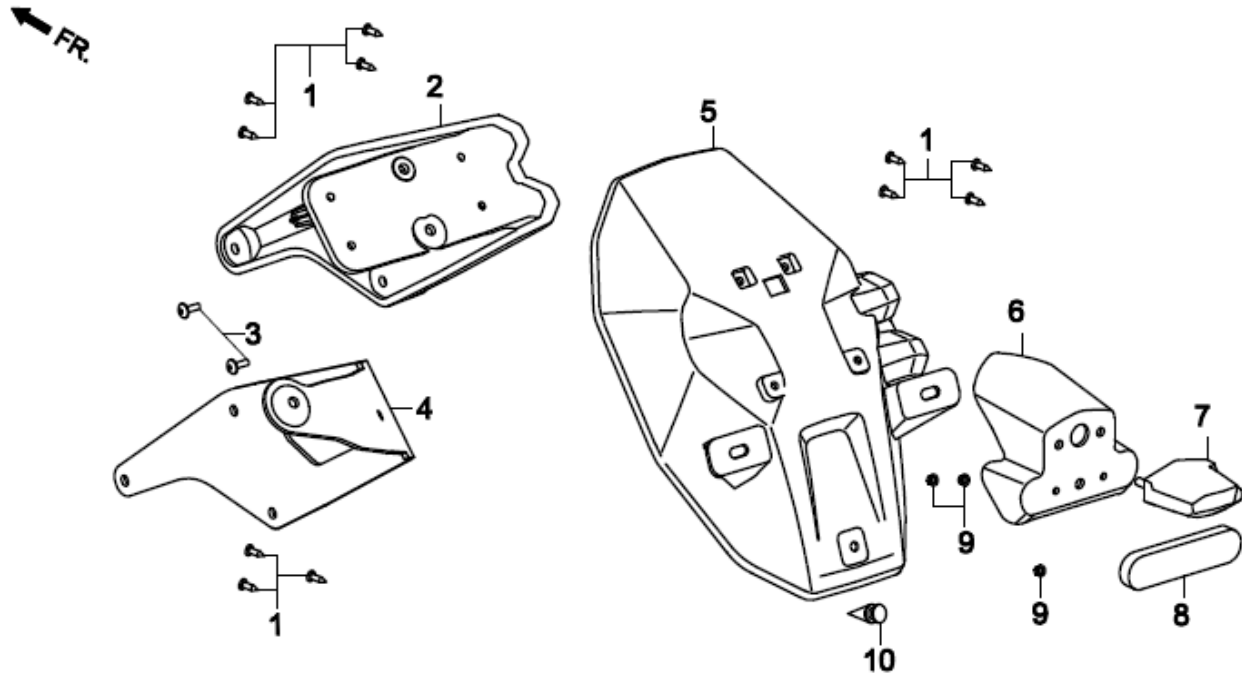
REF. No.	PART NO.	PART NAME	REQD.QTY	NOTES
1	3212000604700	COVER, R.SIDE	1	
2	3211000604700	COVER, L.SIDE	1	
3	3430222604700	DOUBLE FACED ADHESIVE TAPE	2	
4	920186560	BOLT, INNER, M6×20	6	
5	910503044	SCREW, TAPPING, ST4.2×13	6	
6	4212001604700	GARNISH, COVER R.SIDE	1	
7	4211001604700	GARNISH, COVER L.SIDE	1	
8	3355100604700	ARMREST, REAR, BOLT	2	
9	920400420	WASHER, PLAIN ,φ10.5×φ35×0.8	2	
10	3355002604700	ARMREST, REAR, R	1	

F-19
**SIDE COVER/
 REAR ARMREST/
 REAR COVER/
 REAR FENDER**



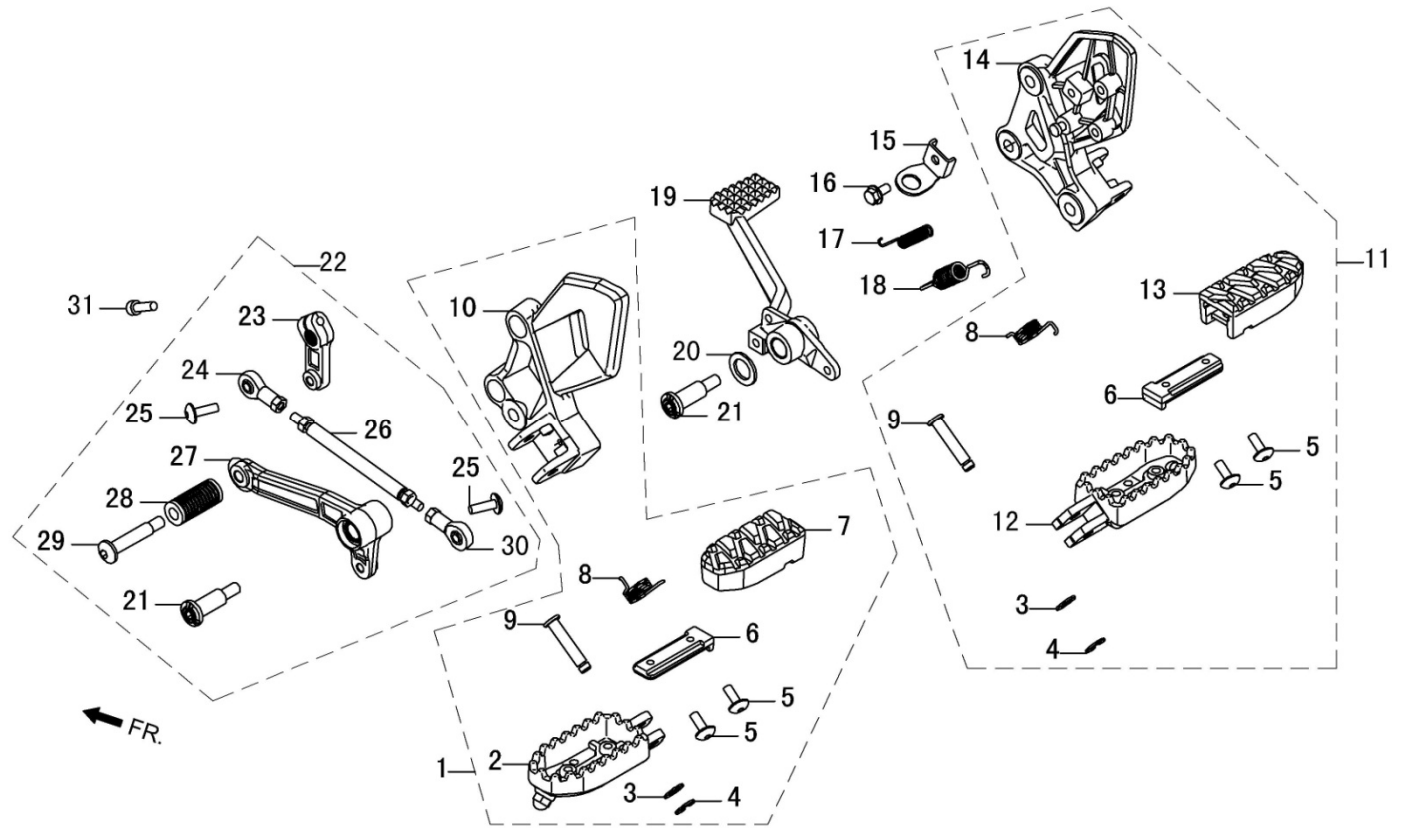
REF. No.	PART NO.	PART NAME	REQD.QTY	NOTES
11	3355001604700	ARMREST, REAR, L	1	
12	910306070	BOLT, INNER, M8×20	2	
13	GB97F080	WASHER, PLAIN ,φ8	2	
14	910120550	BOLT, FLANGE, M6×16	2	
15	34300261440	RUBBER	2	
16	34400131010	BUSH	2	
17	4210006604700	REAR COVER	1	
18	3291000604700	REAR FENDER	1	
19	910503044	SCREW, TAPPING, ST4.2×13	4	
20	920186560	BOLT, INNER, M6×20	9	

F-20 UNDERSIDE FENDER



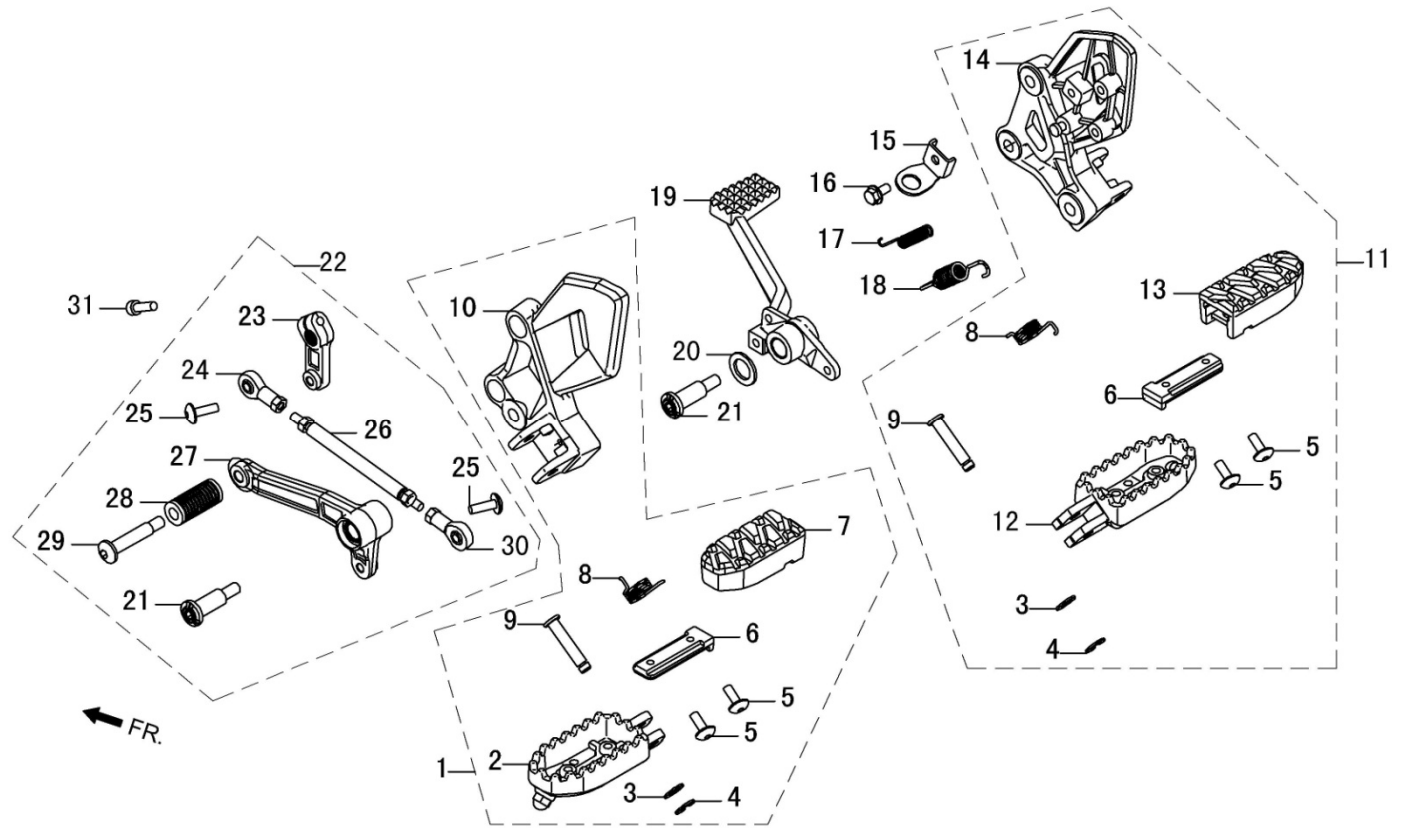
REF. No.	PART NO.	PART NAME	REQD.QTY	NOTES
1	910503044	SCREW, TAPPING, ST4.2×13	11	
2	3291002604700	UNDERPROP,UNDERSIDE FENDER	1	
3	920186550	BOLT, INNER, M6×16	2	
4	3440036604700	BRACKET, UNDERSIDE FENDER	1	
5	3291001604700	REAR FENDER	1	
6	3291003604700	COVER,LIGHT, LICENSE PLATE	1	
7	3952000604700	LIGHT, RR.LICENSE PLATE	1	
8	3962000604700	REFLECTOR, RR	1	
9	910206024	NUT, FLANGE, M6	3	
10	3430103604700	RUBBER,LICENSE PLATE	1	

F-21
STEP FR./
PEDAL CHANGE/
BRAKE PEDAL, RR.



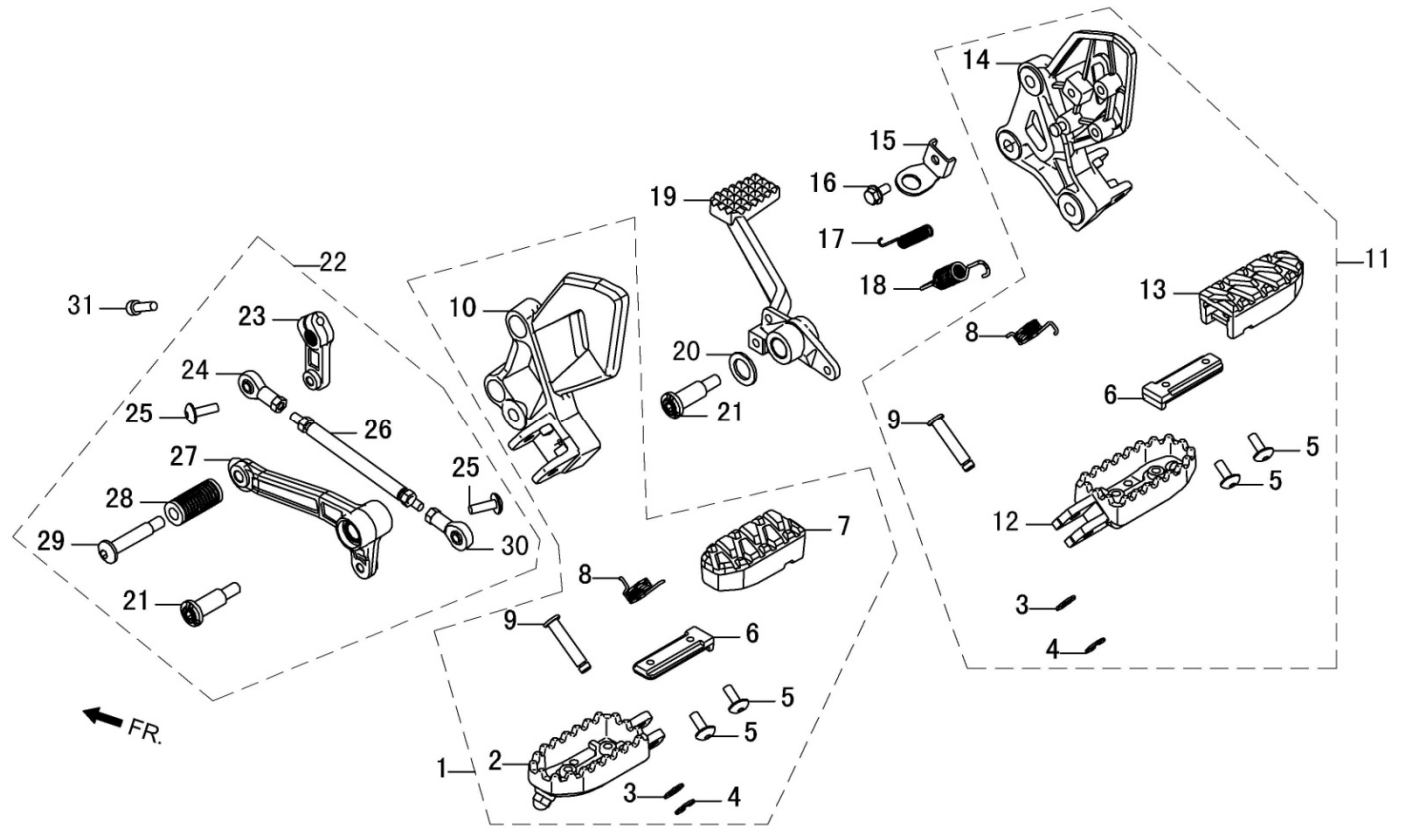
REF. No.	PART NO.	PART NAME	REQD.QTY	NOTES
1	3243000604700	STEP, L.FR. ASSY.	1	
2	3243004604700	SEAT, STEP, FR, L	1	
3	910412070	WASHER, PLAIN ,φ8	2	
4	GB/T896	CIRCLIP , φ8	2	
5	910311100	SCREW, M5×20	4	
6	3243005604700	PEDAL RUBBER PLATE	2	
7	3243003604700	RUBBER, STEP, FR, L	1	
8	3243006604700	TORSION SPRING	2	
9	GB/T882	PIN ,φ8×40	2	
10	3243001604700	BRACKET, L. FR STEP	1	

F-21
STEP FR./
PEDAL CHANGE/
BRAKE PEDAL, RR.



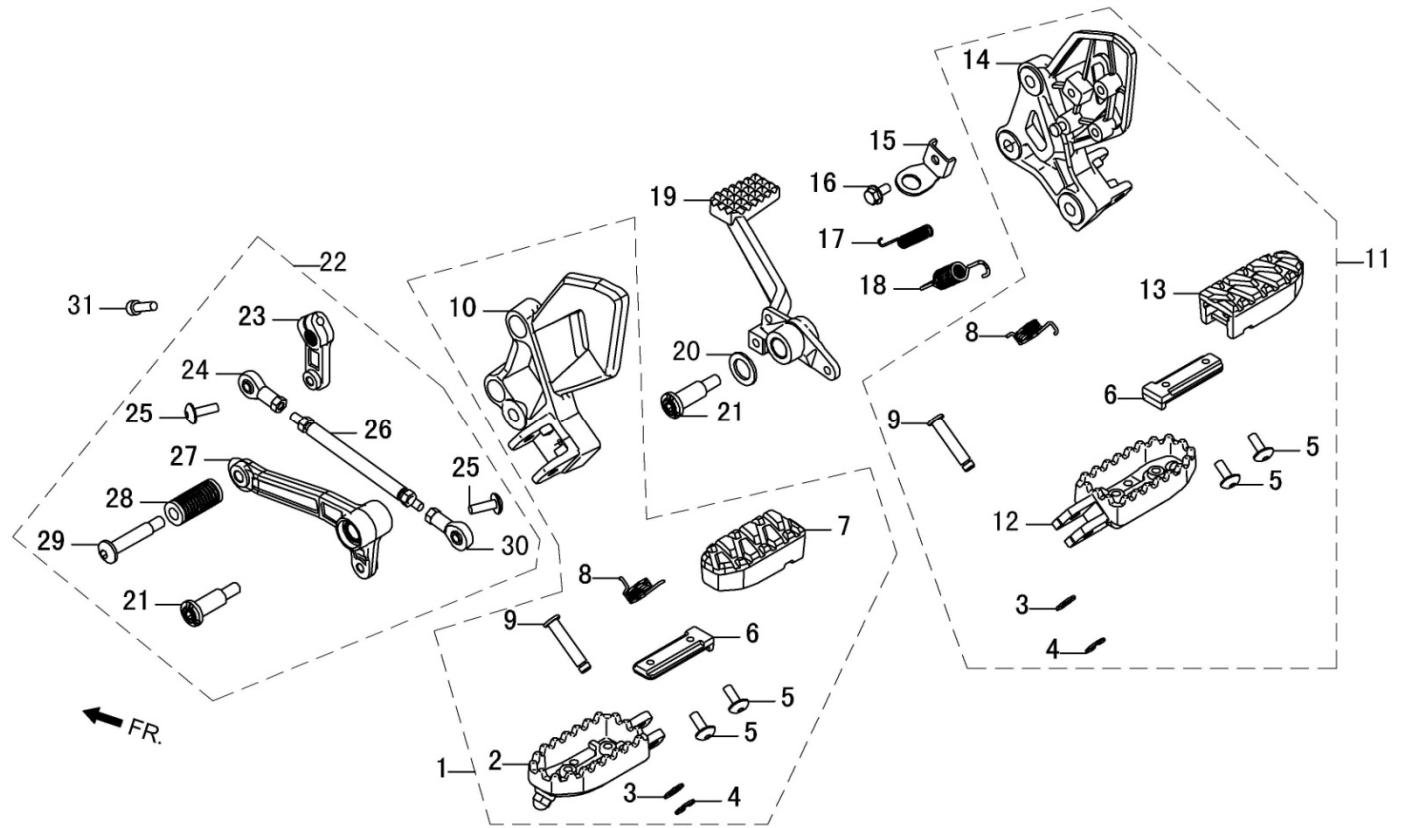
REF. No.	PART NO.	PART NAME	REQD.QTY	NOTES
11	3244000604700	STEP, R.FR. ASSY.	1	
12	3244004604700	SEAT, STEP, FR, R	1	
13	3244003604700	RUBBER, STEP, FR, R	1	
14	3244001604700	BRACKET, R. FR STEP	1	
15	3440191604700	REAR BRAKE SWITCH BRACKET	1	
16	GB5789060100	BOLT, FLANGE ,M6×10	1	
17	34400031440	SPRING,SWITCH. BRAKE PEDAL	1	
18	34400042010	SPRING,BRAKE PEDAL	1	
19	3251000604700	BRAKE PEDAL, RR.	1	
20	920400440	WASHER, PLAIN ,φ14	1	

F-21
STEP FR./
**PEDAL CHANGE/
 BRAKE PEDAL, RR.**



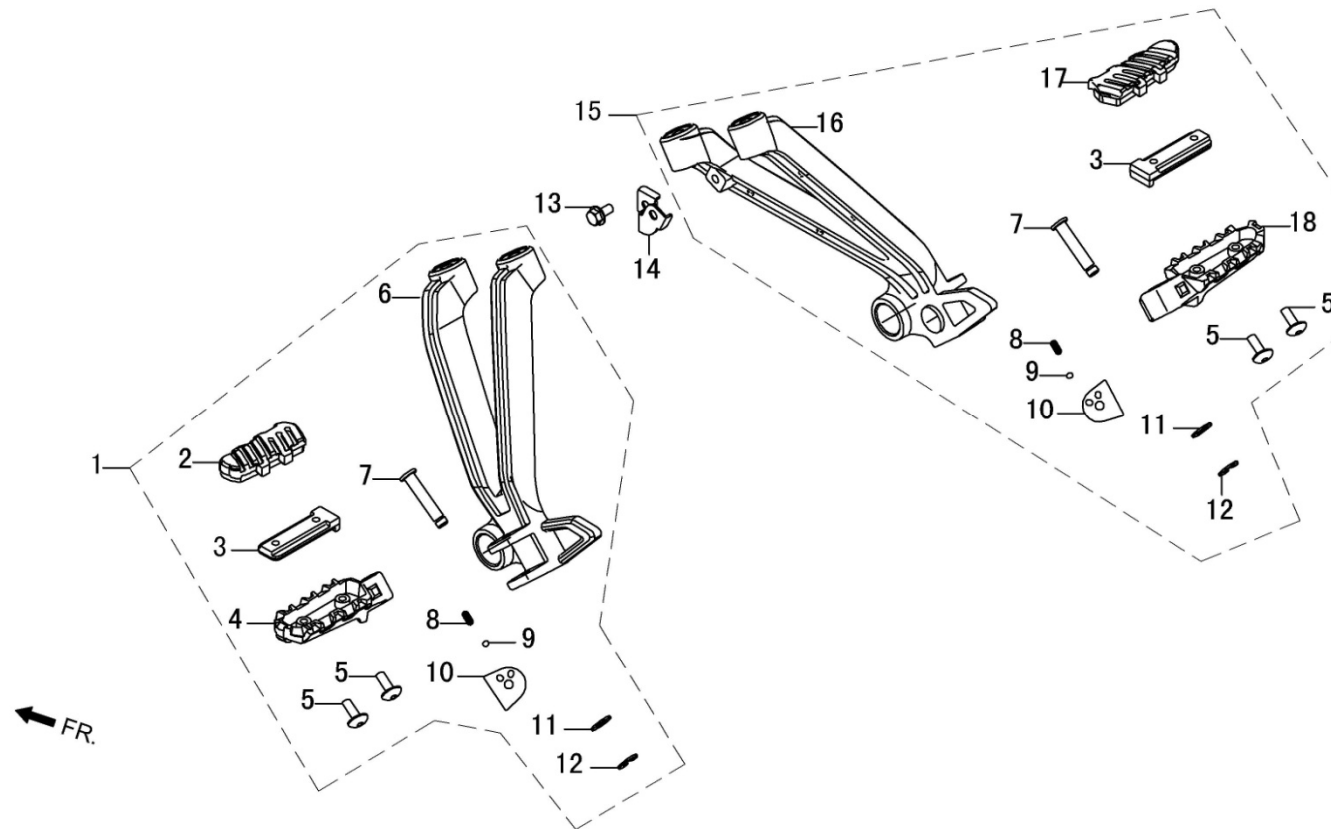
REF. No.	PART NO.	PART NAME	REQD.QTY	NOTES
21	3440517604700	SHIFT LEVER BOLT	2	
22	3650000604700	PEDAL CHANGE ASSY.	1	
23	3650011604700	ARM,GEAR CHANGE	1	
24	SIL 6T/K	ROD END JOINT BEARING,L	1	
25	3650012604700	BOLT,INNER,M6×20	2	
26	3650013604700	LINK POLE	1	
27	3650014604700	ROCKER ARM, PEDAL CHANGE	1	
28	3650015604700	RUBBER AGGREGATE	1	
29	3650000604700	STEP BOLT, M8×52-40		
30	SI 6T/K	ROD END JOINT BEARING,R	1	

F-21
STEP FR./
PEDAL CHANGE/
BRAKE PEDAL, RR.



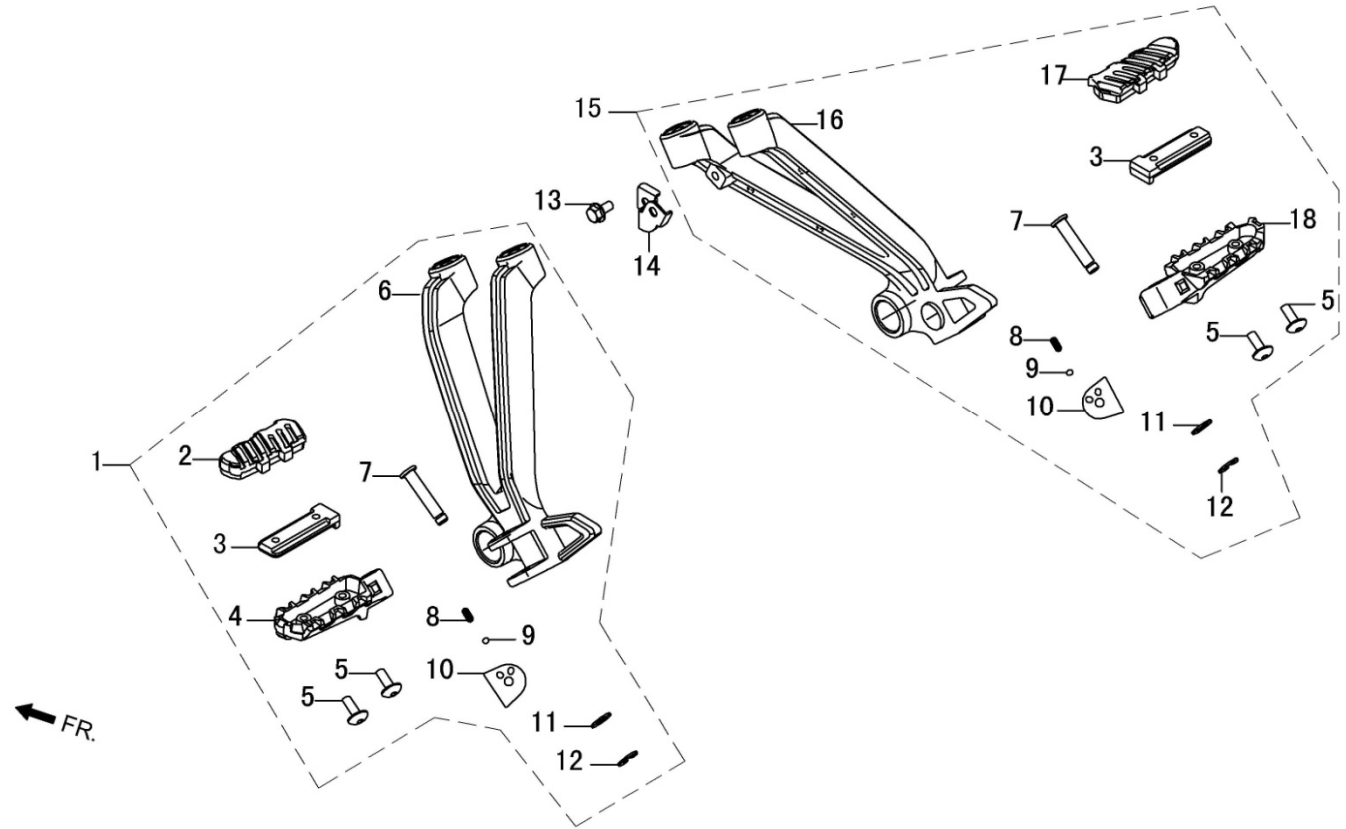
REF. No.	代号 PART NO.	PART NAME	REQD.QTY	NOTES
31	GB5783060200	BOLT, M6x20	1	

F-22 STEP RR



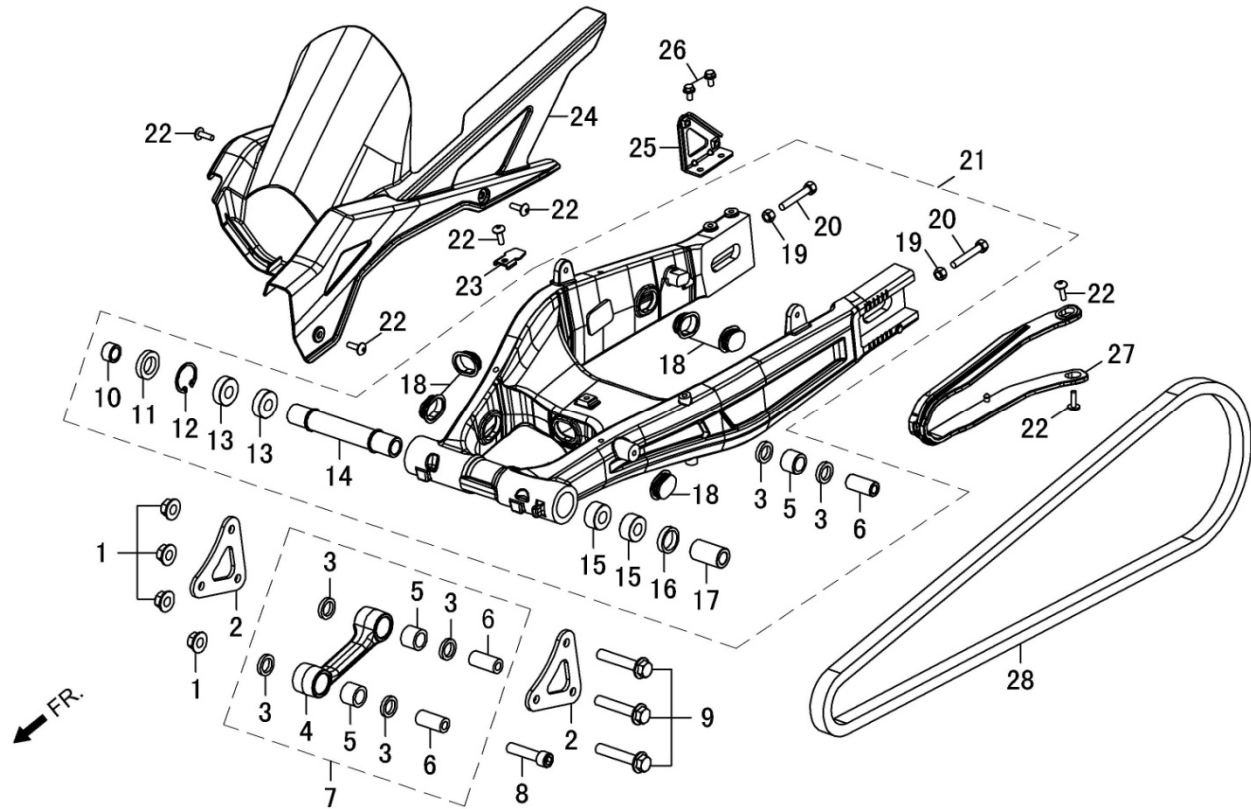
REF. No.	PART NO.	CHINESE NAME	PART NAME	REQD.QTY	NOTES
1	3245000604700		STEP, L.RR. ASSY.	1	
2	3245003604700		RUBBER, STEP, RR, L	1	
3	3243005604700		PEDAL RUBBER PLATE	2	
4	3245002604700		SEAT, STEP, RR, L	1	
5	910311100		SCREW, M5×20	4	
6	3245001604700		BRACKET, L. RR STEP	1	
7	GB/T882		PIN , φ6×40	2	
8	3245004604700		RETURN SPRING	2	
9	GB/T308		STEEL BALL, Sφ6	2	
10	3245005604700		REAR PEDAL STOPPER	2	

F-22 STEP RR



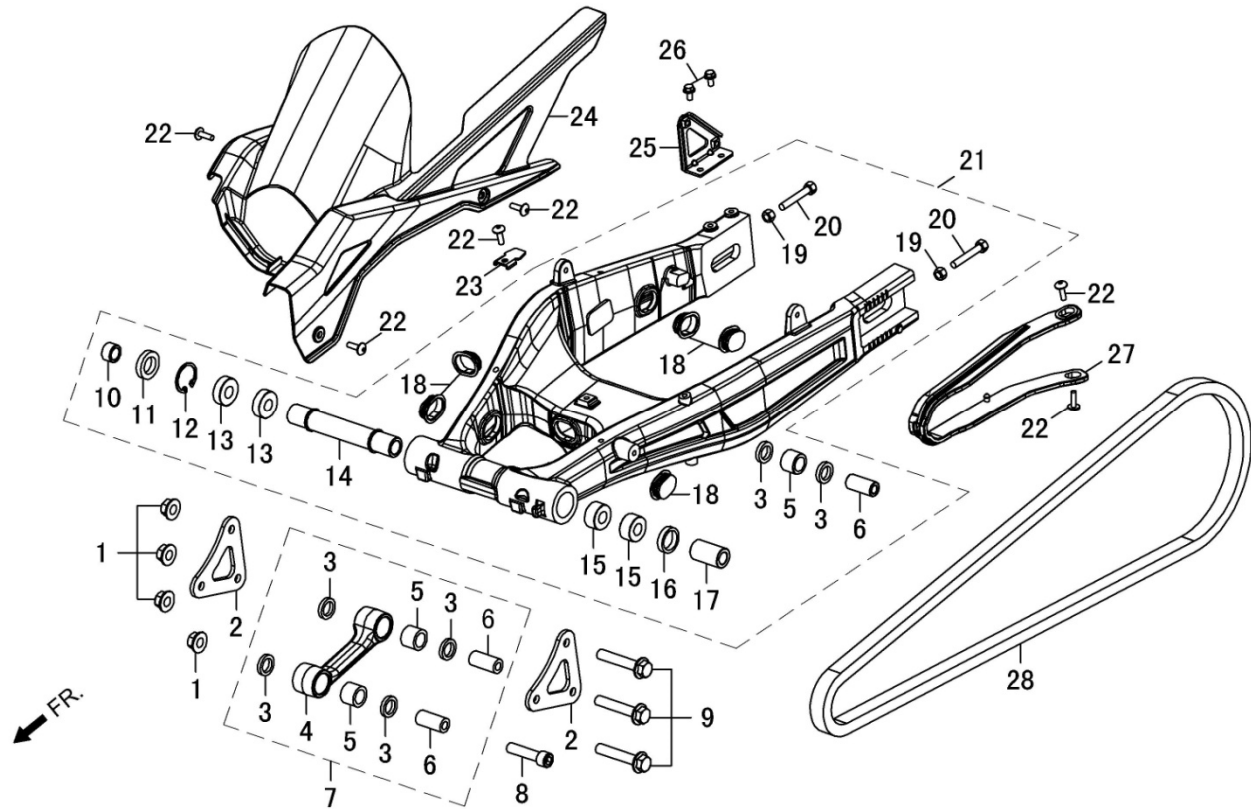
REF. No.	PART NO.	PART NAME	REQD.QTY	NOTES
11	910413050	WASHER, PLAIN , $\phi 6$	2	
12	GB/T896	CIRCLIP , $\phi 6$	2	
13	GB5789060100	BOLT, FLANGE ,M6 \times 10	1	
14	3440148604700	OIL CUP SUPPORT, RR	1	
15	3246000604700	STEP, R.RR. ASSY.	1	
16	3246001604700	BRACKET, R. RR STEP	1	
17	3246003604700	RUBBER, STEP, RR, R	1	
18	3243002604700	SEAT, STEP, RR, R	1	

F-23
SWINGARM
/CHAIN/
CHAIN CASE



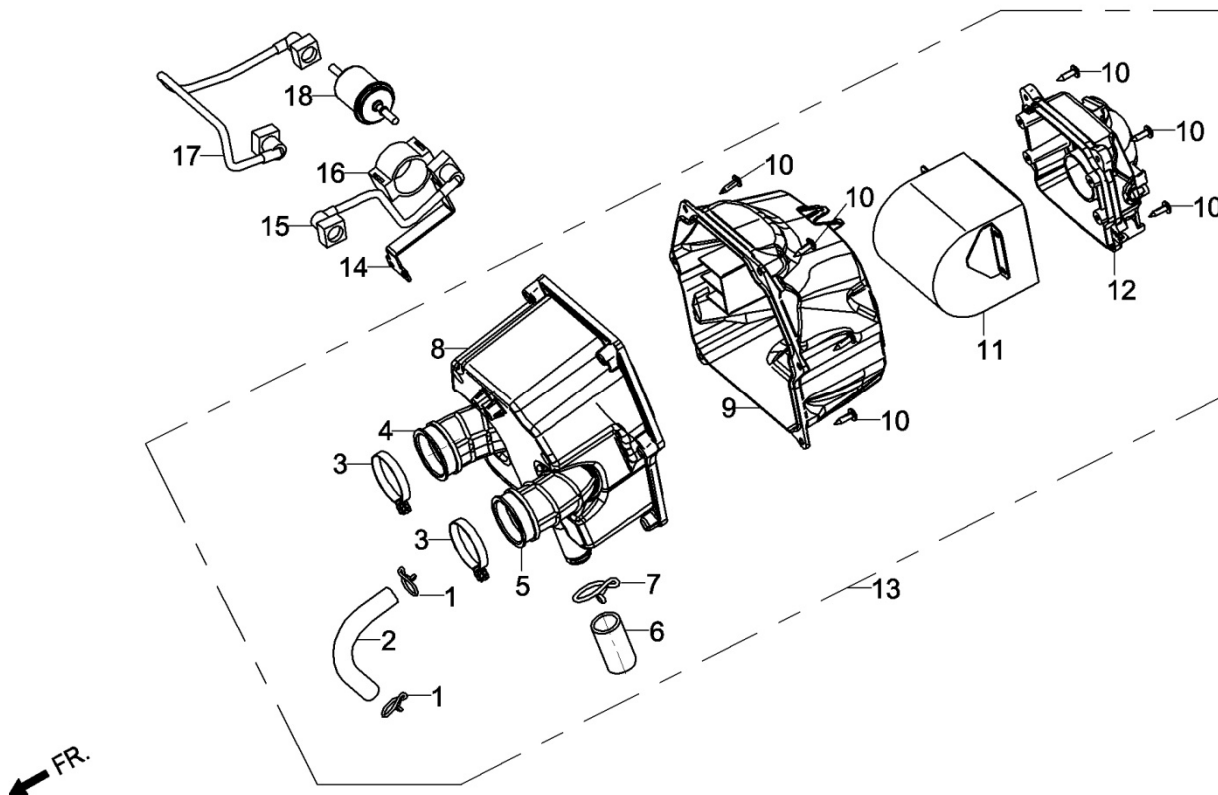
REF. No.	PART NO.	PART NAME	REQD.QTY	NOTES
11	GB/T 9877.1	SEAL RING 22×35×7	1	
12	GB/T 893.1	CIRCLIP 35×1.5	1	
13	GB/T 276	BEARING 6004-2RS	2	
14	3264014604700	AXLE SLEEVE	1	
15	GB/T 290	BEARINGHK2516	2	
16	GB/T 9877.1	SEAL RING 25×32×7	1	
17	3264015604700	AXLE SLEEVE,L.	1	
18	3264016604700	PLUG	5	
19	GB6177080	NUT, M8	2	
20	GB5789080500	BOLT, M8×50	2	

F-23
SWINGARM
/CHAIN/
CHAIN CASE



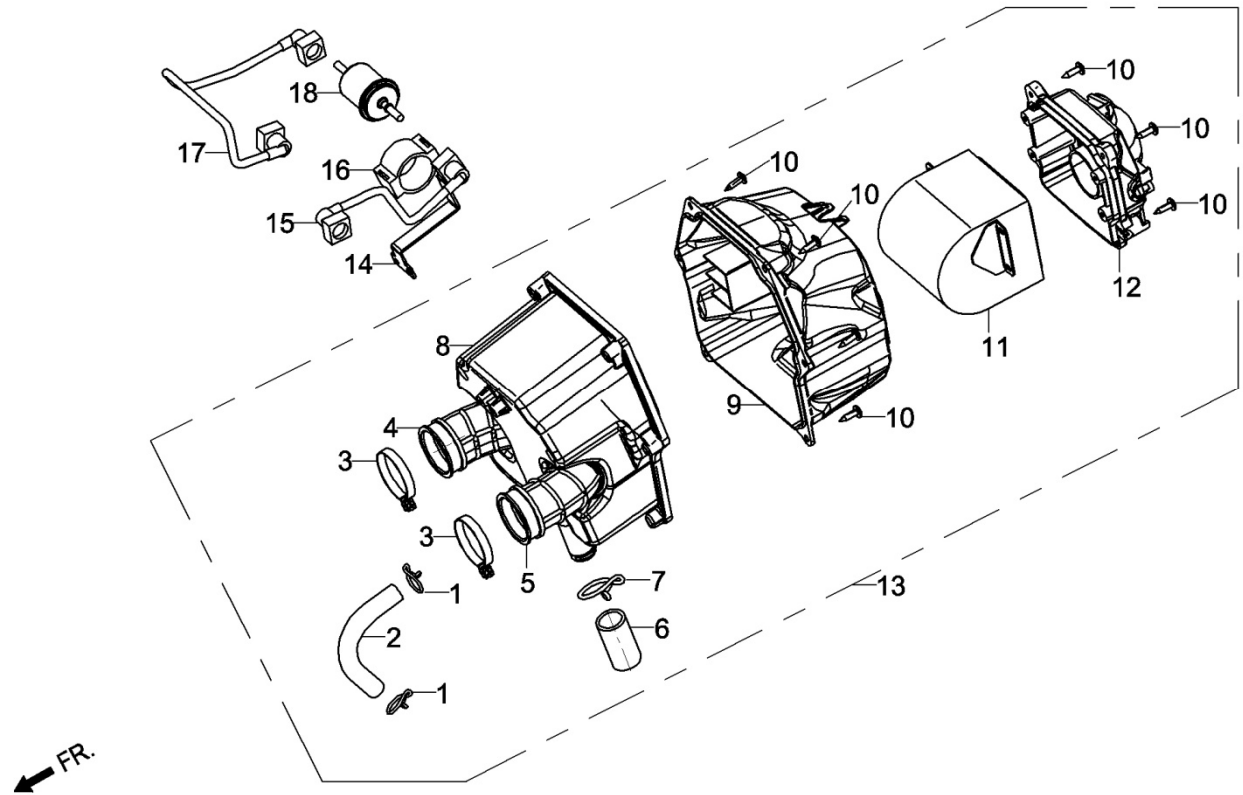
REF. No.	PART NO.	PART NAME	REQD.QTY	NOTES
21	3261100604700	SWINGARM	1	
22	920186590	BOLT, SPHERE M6×12	5	
23	3448007604700	CHAIN BOX SUPPORT	1	
24	3221000604700	CHAIN BOX	1	
25	3440035604700	MOUNTING BRACKET	1	
26	GB5789060120	BOLT, FLANGE M6×12	2	
27	3210100604700	CHAIN SLIDER	1	
28	GB14212-520UO-11	CHAIN	1	

F-24 AIR CLEANER



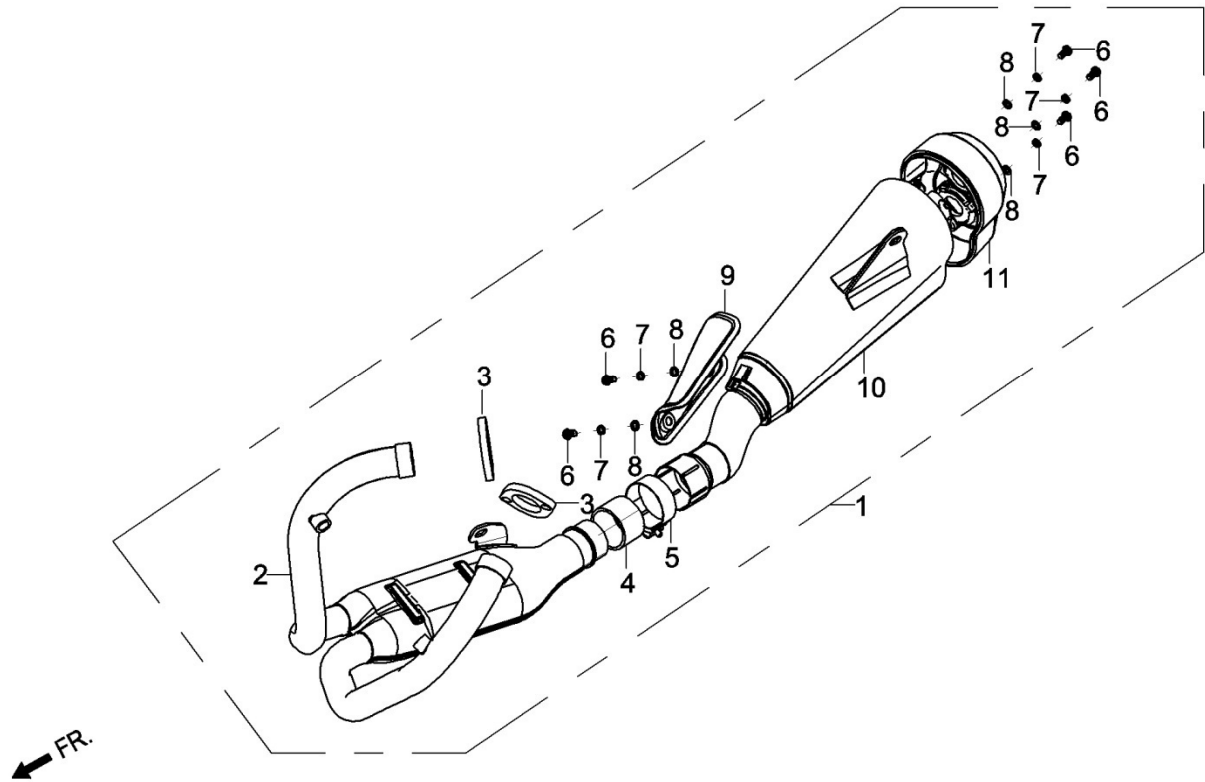
REF. No.	PART NO.	PART NAME	REQD.QTY	NOTES
1	3590013604700	EXHUAST PIPE CLASP	2	
2	3590007604700	PIPE, USED AIR	1	
3	3590008604700	CLIP	2	
4	3590012604700	OUTLET PIPE(R)	1	
5	3590011604700	OUTLET PIPE(L)	1	
6	3590010604700	PIPE, USED OIL	1	
7	3590009604700	SPILL PIPE CLAMP	1	
8	3590006604700	FRONT HOUSING OF AIR FILTER	1	
9	3590004604700	MIDDLE HOUSING OF AIR FILTER	1	
10	GB/T845	SCREW ST4.8×20	10	

F-24 AIR CLEANER



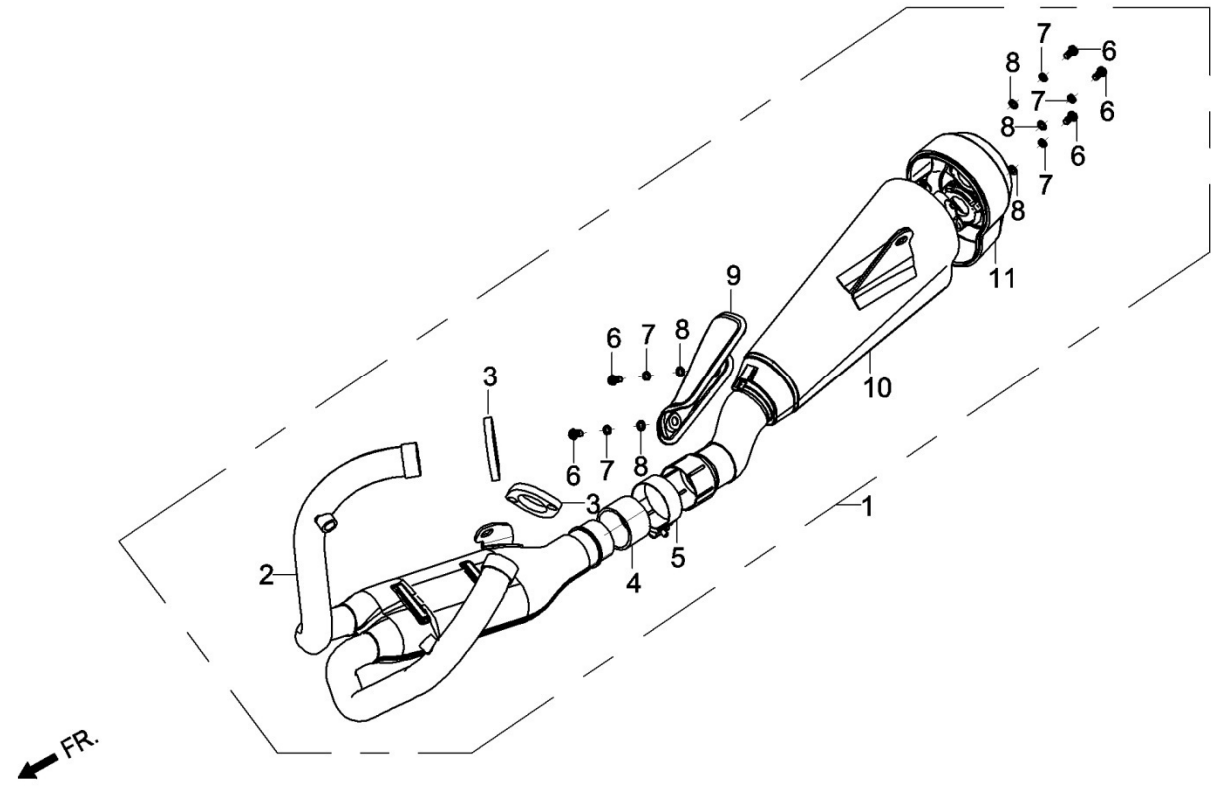
REF. No.	PART NO.	PART NAME	REQD.QTY	NOTES
11	3590003604700	PAPER FILTER ELEMENT ASSEMBLY	1	
12	3590004604700	REAR HOUSING OF AIR FILTER	1	
13	3590000604700	AIR CLEANER	1	
14	3440335604700	SUPPORT FOR GASOLINE FILTER	1	
15	3430011604700	FUEL INJECTION PIPE 2	1	
16	3430012604700	RUBBER SLEEVE	1	
17	3430013604700	FUEL INJECTION PIPE 1	1	
18	3430014604700	FILTER	1	

F-25 EXHAUST MUFFLER



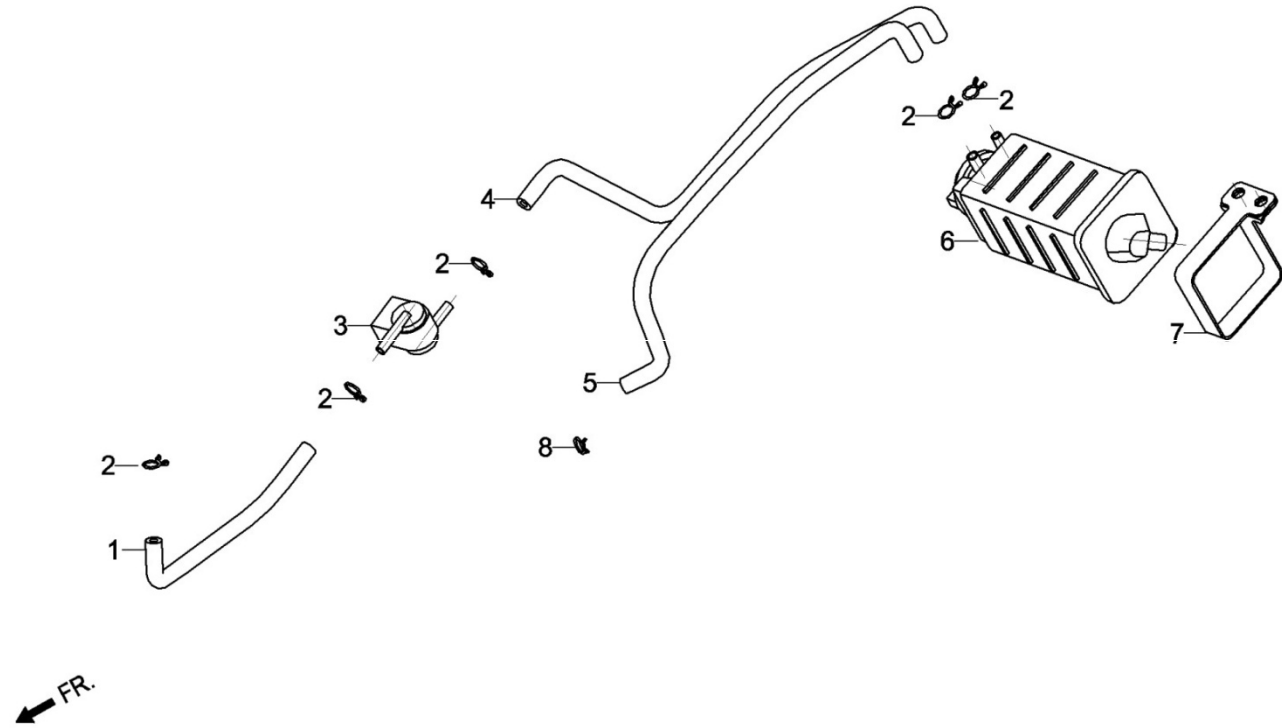
REF. No.	PART NO.	PART NAME	REQD.QTY	NOTES
1	3621000604700	EXHAUST MUFFLER	1	
2	3621300604700	FRONT MUFFLER ASSEMBLY	1	
3	3621002604700	FLANGE	2	
4	3621016604700	THE GRAPHITE SLEEVE	1	
5	3621100604700	CLAMP COMPONENT	1	
6	3621012604700	HEXAGON SOCKET CAP SCREWS M6×12	5	
7	GB/T 97.1	WASHER 6	5	
8	GB 93	SPRING WASHER 6	5	
9	3621009604500	COVER SUBASSEMBLY,MUFFLER	1	
10	3621200604700	MUFFLER CYLINDER BODY ASSEMBLY	1	

**F-25
EXHAUST MUFFLER**



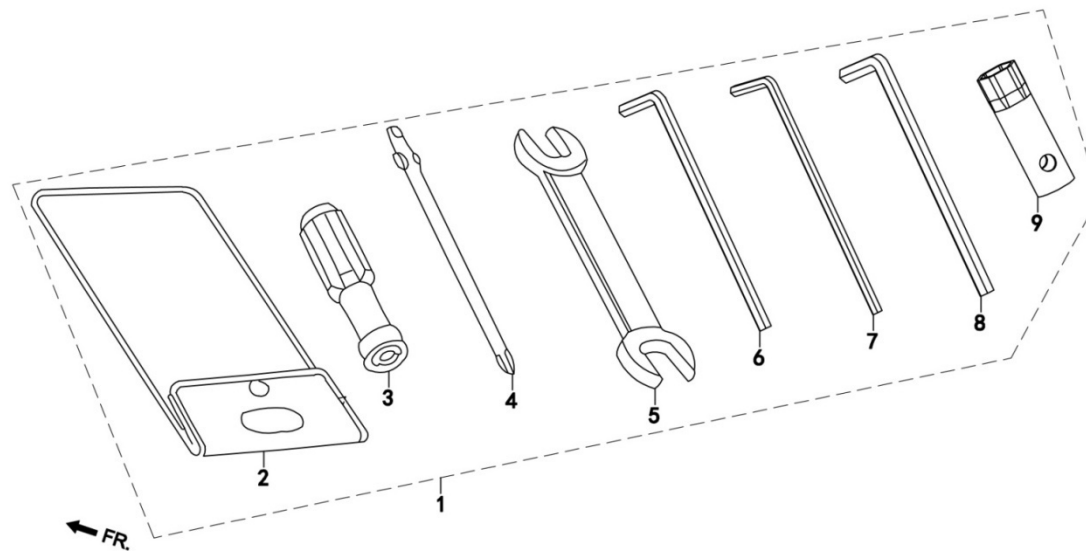
REF. No.	PART NO.		PART NAME	REQD.QTY	NOTES
11	3621011604700		THE TAIL COVER	1	

F-26 CARBON CANISTER



REF. No.	PART NO.		PART NAME	REQD.QTY	NOTES
1	3695003604700		ADSORB PIPE 2	1	
2	3695011604700		PLATE HOLDER ϕ 9.5	5	
3	36950021720		ANTI-DUMPING STOP VALVE	1	
4	3695002604700		ADSORB PIPE 1	1	
5	3695001604700		PURGE PIPE	1	
6	36950011662		CANISTER, CARBON	1	
7	36961001440		CARBON TANK SUPPORT ASSEMBLY	1	
8	3695012604700		PLATE HOLDER ϕ 8.5	1	

F-27 TOOLS



REF. No.	PART NO.	PART NAME	REQD.QTY	NOTES
1	3312000604700	TOOL	1	
2	3312011604700	TOOL BAG	1	
3	3312012604700	GRIP,SCREWDRIVER	1	
4	3312013604700	SCREWDRIVER	1	
5	3312014604700	SPANNER,10×13	1	
6	3312015604700	ALLEN WRENCH,M4	1	
7	3312016604700	ALLEN WRENCH,M5	1	
8	3312017604700	ALLEN WRENCH,M6	1	
9	3312018604700	WRENCH,SPARK PLUG	1	

2024 I. edition